

Thermaltake TOUGHAIR 710 Black



TOUGHAIR 710 Black

CPU Cooler





TOUGHAIR 710 Black

CPU Cooler

Spec :

Unit :mm

P/N	CL-P117-CA14BL-A
Compatibility (CPU Socket)	Intel : LGA 2066/2011/2011-3/1700 /1200/1156/1155/1151/1150 AMD : AM5/AM4
Dimension (L x W x H)	Standard : 148.6 x 146.6 x 165 48mm RAM Compatibility : 148.6 x 146.6 x 188.5
Heatsink Material	Aluminum Fins Copper Heatpipes
Heatpipe	Ø6mm x 7 pcs
Fan Dimension	140 x 140 x 25 mm (L x W x H)
Fan Quantity	2 pcs
Fan Speed	PWM 500 ~ 1400 RPM With L.N.C PWM 300~1100 RPM
Rated Voltage	12V
Start Voltage	9V
Rated Current	0.17 A (one fan)
Power Input	2.04 W (one fan)
Air Flow.	81.96 CFM (one fan) With L.N.C 65.03 CFM
Static Pressure.	1.81 mm-H ₂ O (one fan) With L.N.C 1.3 mm-H ₂ O
Acoustical Noise.	23.9 dB-A With L.N.C 18.5 dB-A
Life Time	40,000 hours
Pin Connect	2510 - 4Pin
Cooling Power	250 W

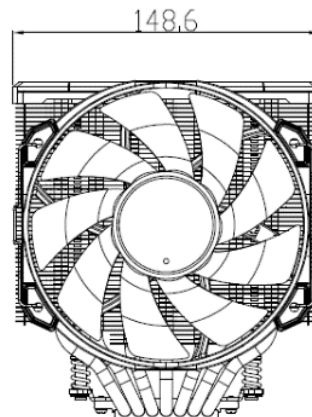
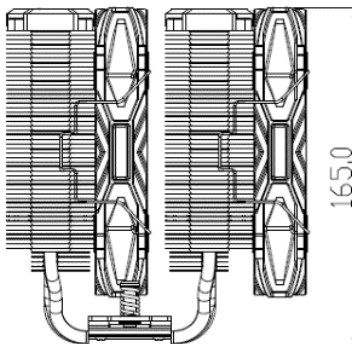
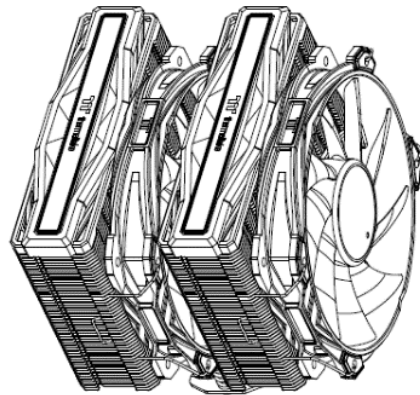
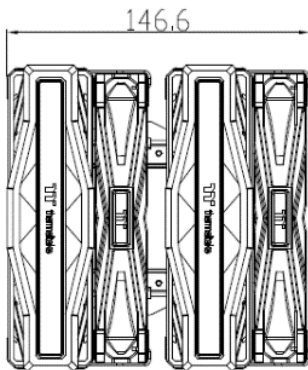
Thermaltake TOUGHAIR 710 Black



Features :

- Dual-Tower Design for next-gen cooling performance
- Dual 140mm high static pressure fans with a maximum speed of 1400 RPM
- 7 x Ø6 mm high-performance U-shape copper heat pipes
- High-quality Thermal Grease Included
- Universal Intel and AMD Socket Compatibility
- Support up to 250W TDP

Dimension :



Thermaltake TOUGHAIR 710 Black

Angle View :



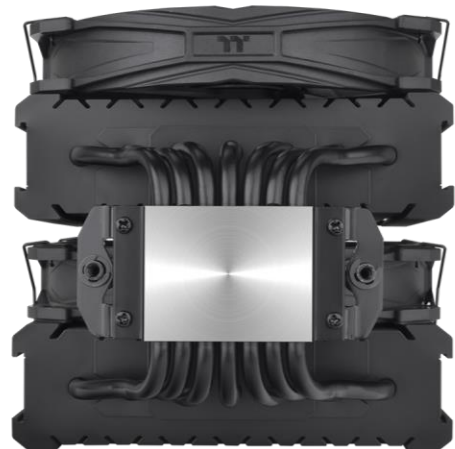
Front View



Rear View



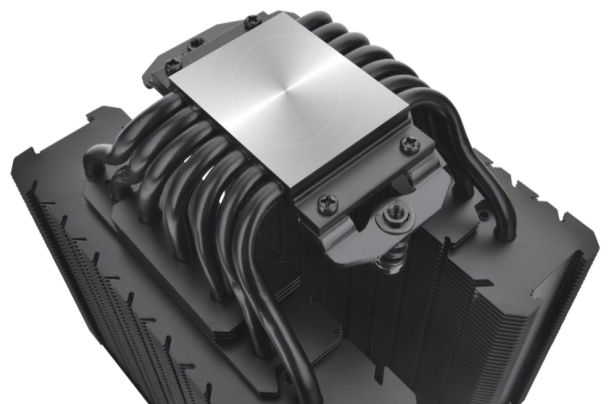
Top View



Bottom View



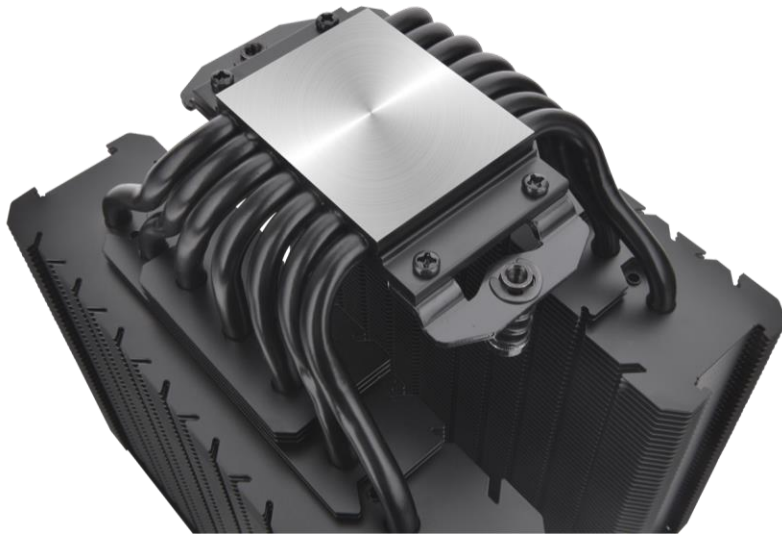
Fan



Copper base

Thermaltake TOUGHAIR 710 Black

Features :



Copper base with
anti-corrosive
Nickel plating

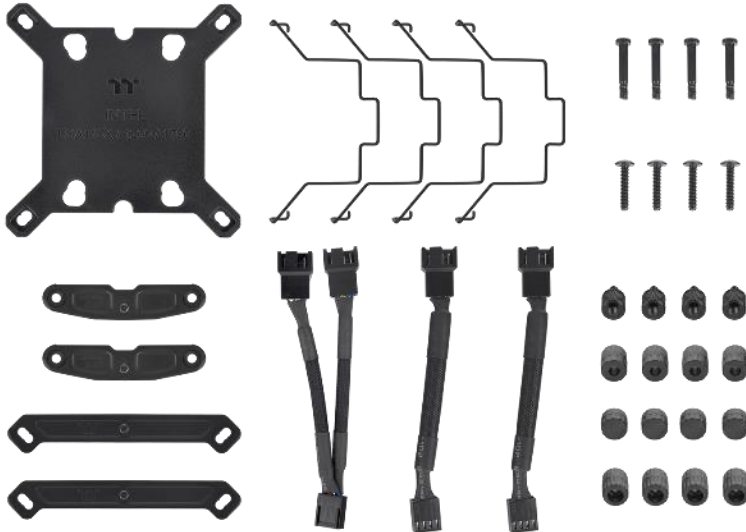
7 x Ø6mm heatpipes
to TDP 280W



140 mm fan

High static pressure and
low vibration design

Features :



Universal sockets
Compatibility

Intel and AMD
Socket Compatibility



Application

Thermaltake TOUGHAIR 710 Black



P/N : CL-P110-CA14GM-A

TOUGHAIR 710

CPU Cooler

