

- **Style: Simple**
- **Size: Mid Tower supports up to E-ATX MB**
- **Material: Steel & Tempered Glass**

Main Features

- **Connection** : Front I/O ports with 2 x USB 3.0
- **Ventilation** : 4 preinstalled 120mm CT120 ARGB fan
- **Supports** : Supports AIO cooling solutions



Specification

Model	S250 TG ARGB	S250 TG ARGB Snow
P/N	CA-1Y6-00M1WN-00	CA-1Y6-00M6WN-00
Case Type	Mid Tower	
Chassis Dimension (H*W*D)	490 x 218 x 462 mm (19.3 x 8.6 x 18.2 inch)	
Net Weight	6.7 kg / 14.8 lbs.	
Panel	4mm Tempered Glass x 1	
Color	Black	White
Material	SPCC	
Cooling System	Front(intake): 120 x 120 x 25 mm CT120 ARGB fan (2000rpm, 25.8 dBA) x 3 Rear(Exhaust): 120 x 120 x 25 mm CT120 ARGB fan (2000rpm, 25.8 dBA) x 1	
Drive Bays	2 x 3.5", 2 x 2.5" or 4 x 2.5"	
Expansion Slots	7	
Motherboards	6.7" x 6.7" (Mini ITX), 9.6" x 9.6" (Micro ATX), 12" x 9.6" (ATX), 12" x 13" (E-ATX)	
I/O Port	USB 3.0 x 2, HD Audio x 1	
PSU	Standard ATX PSU (optional)	
Fan Support	Front: 3 x 120mm, 2 x 120mm, 1 x 120mm 3 x 140mm, 2 x 140mm, 1 x 140mm Top: 3 x 120mm, 2 x 120mm, 1 x 120mm, 2 x 140mm, 1 x 140mm Right(M/B Side): 2 x 120mm, 1 x 120mm Rear: 1 x 120mm Power Cover: 2 x 120mm, 1 x 120mm	
Radiator Support	Front: 1 x 360mm, 1 x 240mm, 1 x 120mm 1 x 420mm, 1 x 280mm, 1 x 140mm Top: 1 x 360mm, 1 x 240mm, 1 x 120mm 1 x 280mm, 1 x 140mm Right(M/B Side): 1 x 240mm, 1 x 120mm Rear: 1 x 120mm	
Clearance	CPU cooler height limitation: 165mm VGA length limitation: 400mm PSU length limitation: 220mm	

Packaging

Package Information	S250 TG ARGB	S250 TG ARGB Snow
EAN Code	4711475641570	4711475641587
UPC Code	841163091586	841163091593
N.W	7.85 kg / 17.3 lbs.	
G.W	9.3 kg / 20.5 lbs.	
Carton Size (L x W x H)	536 x 286 x 525 mm / 21.1 x 11.26 x 20.67 inch	
Cuft	2.84	
Container	w/o pallet	
20'	328 pcs	
40'	656 pcs	
40' HQ	800 pcs	





Thermaltake S250 TG ARGB Mid Tower Chassis

Appearance – Black version

Angle view

Left Side view

Front view

Right Side view

Top view

Internal Structure

Rear view

Bottom view



Thermaltake S250 TG ARGB Mid Tower Chassis

Appearance – Snow version

Angle view

Left Side view

Front view

Right Side view

Top view

Internal Structure

Rear view

Bottom view



Thermaltake S250 TG ARGB Mid Tower Chassis

Clearance

Maximum support up
to 120mm fan x 11

Maximum radiator support
up to 420mm at front

4mm Tempered Glass
Window x 1



Thermaltake S250 TG ARGB Mid Tower Chassis

Structure (External)

USB 3.0 x 2

HD Audio



Thermaltake S250 TG ARGB Mid Tower Chassis

Structure (External)

Tool-free,
easy-to-remove
Panels design

Bottom filter

Structure (Internal)

Removable front
fan/radiator bracket for
easier installation

Preinstalled 120mm rear
turbo fan



Thermaltake S250 TG ARGB Mid Tower Chassis

Structure (Internal)

Full length power cover

Cable cover design for
cleaner internal look

It can support up
to 3 2.5" SSD



Thermaltake S250 TG ARGB Mid Tower Chassis

Structure (Internal)

Front filter

Top filter

Left side filter

Pre-installed CT Fans

Pre-installed four hydraulic bearing **CT120** fans which can effectively lower the operation noise and enhance the thermal efficiency.



Black Version



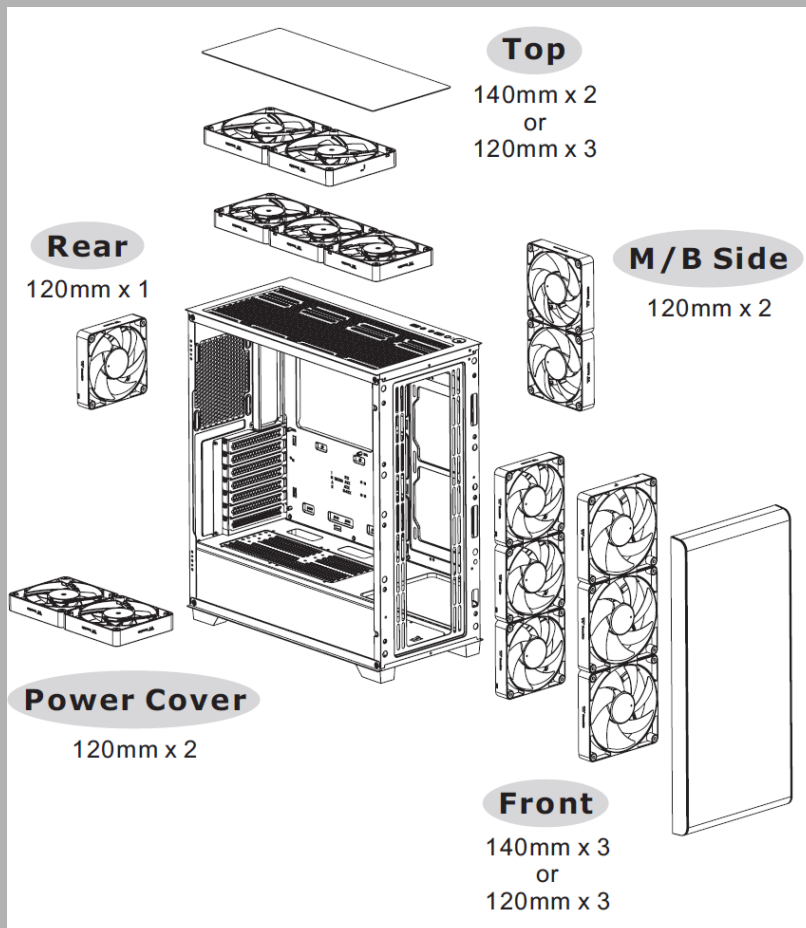
Snow Version

SPEC for Case ARGB **CT120 ARGB** fans

- Fan Speed: 500~2000 RPM
- Max. Fan Airflow: 57.05 CFM
- Max. Fan Air Pressure: 2.23 mm-H2O
- Fan Noise Level: 25.8 dBA
- Fan Bearing: Hydraulic bearing

Compatibility List

Fan Compatibility List			
	120mm	140mm	200mm
Front	3	3	-
Top	3	2	-
Rear	1	-	-
Right(M/B Side)	2	-	-
Power Cover	2	-	-



All-in-One Compatibility

All-in-One Compatibility List

	120mm	240mm	360mm	140mm	280mm	420mm
Front	●	●	●	●	●	●
Top	●	●	●	●	●	-
Right (M/B Side)	●	●	-	-	-	-
Rear	●	-	-	-	-	-
Bottom	-	-	-	-	-	-

