

- **Style:** CTE (Centralized Thermal Efficiency) Form Factor Design
- **Size:** Full Tower supports up to E-ATX MB
- **Material:** Steel & Tempered Glass

Datasheet

Main Features

- **Connection :** Front I/O ports with 2 x USB 3.0 & 1 x USB 3.2 (Gen 2) Type C
- **Ventilation :** 3 preinstalled 140mm CT140 ARGB fan
- **Supports :** Supports AIO/DIY cooling solutions



Specification

| Model | CTE T500 TG ARGB | CTE T500 TG ARGB Snow |
|---------------------------|--|-----------------------|
| P/N | CA-1X8-00F1WN-01 | CA-1X8-00F6WN-01 |
| Case Type | Full Tower | |
| Chassis Dimension (H*W*D) | 615x 275 x 516 mm (24.21 x 10.83 x 20.31 inch) | |
| Net Weight | 15.3 kg / 33.73 lbs. | 15.6 kg / 34.39 lbs. |
| Panel | 4mm Tempered Glass x 2 | |
| Color | Black | White |
| Material | SPCC / ABS | |
| Cooling System | Front(intake): 140 x 140 x 25 mm CT140 ARGB fan (1500rpm, 30.5 dBA) x 1 Top(exhaust): 140 x 140 x 25 mm CT140 ARGB fan (1500rpm, 30.5 dBA) x 1 Rear(intake): 140 x 140 x 25 mm CT140 ARGB fan (1500rpm, 30.5 dBA) x 1 | |
| Drive Bays | 4 x 3.5" or 6 x 2.5" | |
| Expansion Slots | 7 | |
| Motherboards | 6.7" x 6.7" (Mini ITX), 9.6" x 9.6" (Micro ATX), 12" x 9.6" (ATX), 12" x 13" (E-ATX) | |
| I/O Port | USB 3.2 (Gen 2) Type-C x 1, USB 3.0 x 2, HD Audio x 1 | |
| PSU | Standard PS2 PSU (optional) | |
| Fan Support | Front: 3 x 120mm, 2 x 120mm, 1 x 120mm 3 x 140mm, 2 x 140mm, 1 x 140mm Top: 2 x 120mm, 1 x 120mm 2 x 140mm, 1 x 140mm Right: 1 x 120mm, 1 x 140mm Rear: 3 x 120mm, 2 x 120mm, 1 x 120mm 3 x 140mm, 2 x 140mm, 1 x 140mm Bottom: 1 x 120mm, 1 x 140mm PSU Cover: 1 x 120mm, 1 x 140mm | |
| Radiator Support | Front: 1 x 360mm, 1 x 240mm, 1 x 120mm 1 x 420mm(AIO only), 1 x 280mm, 1 x 140mm Top: 1 x 120mm(AIO only) Rear: 1 x 360mm, 1 x 240mm, 1 x 120mm 1 x 280mm, 1 x 140mm | |
| Clearance | CPU cooler max height: 195mm VGA max length: 385mm PSU max length: 180mm | |

Packaging

| Package Information | CTE T500 TG ARGB | CTE T500 TG ARGB Snow |
|-------------------------|---|-----------------------|
| EAN Code | 4713227537216 | 4713227537223 |
| UPC Code | 841163087220 | 841163087237 |
| N.W | 15.3 kg / 33.73 lbs. | 15.6 kg / 34.39 lbs. |
| G.W | 18 kg / 39.68 lbs. | 18.3 kg / 40.34 lbs. |
| Carton Size (L x W x H) | 605 x 380 x 725 mm / 23.82 x 14.96 x 28.54 inch | |
| Cuft | 5.88 | |
| Container | w/o pallet | |
| 20' | 170 pcs | |
| 40' | 350 pcs | |
| 40' HQ | 410 pcs | |





Thermaltake CTE T500 TG ARGB Full Tower Chassis

Appearance –
Black version



Angle view



Left Side view



Front view



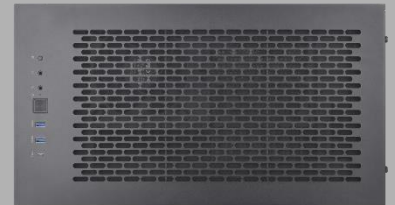
Right Side view



Internal Structure



Rear view



Top view



Bottom view



Thermaltake CTE T500 TG ARGB Full Tower Chassis

Appearance –
Snow version



Angle view



Left Side view



Front view



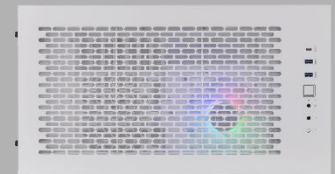
Right Side view



Internal Structure



Rear view



Top view



Bottom view

Clearance



Maximum supports up
to 140mm fan x 10

Maximum radiator supports
up to 420mm at front



Maximum 120/140mm
top fan x 2



Thermaltake CTE T500 TG ARGB Full Tower Chassis

Structure (External)



USB 3.2 (Gen 2) Type-C x 1

USB 3.0 x 2

HD Audio

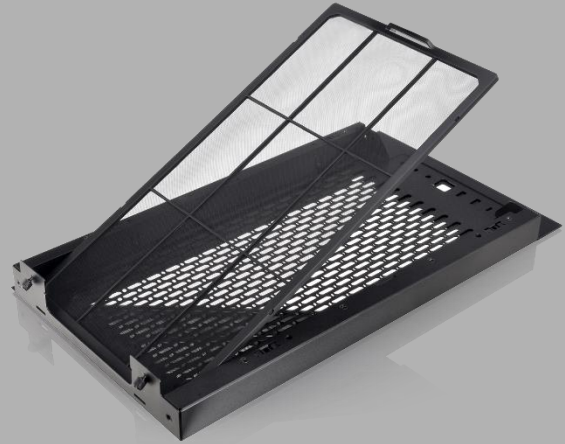


Tempered Glass x 2

Structure (Internal)



Front filter



Top filter



Rear filter



Bottom filter



Right side filter



Thermaltake CTE T500 TG ARGB Full Tower Chassis

Structure (Internal)

It can support up to 2.5" SSD x 6



It can support up to 3.5" HDD x 4

Structure (Internal)



Pump bracket is compatible with Pacific PR12-D5 Plus



120/140mm Fan x1
at the bottom



120/140mm Fan x1
on the power cover

Structure (Internal)



Preinstalled 140mm
CT140 ARGB fan at the
front/top/rear



120/140mm
Right fan x1 with
HDD bracket



Thermaltake CTE T500 TG ARGB Full Tower Chassis

Structure (Internal)



Front



Reversible fan/radiator bracket
for flexible installation



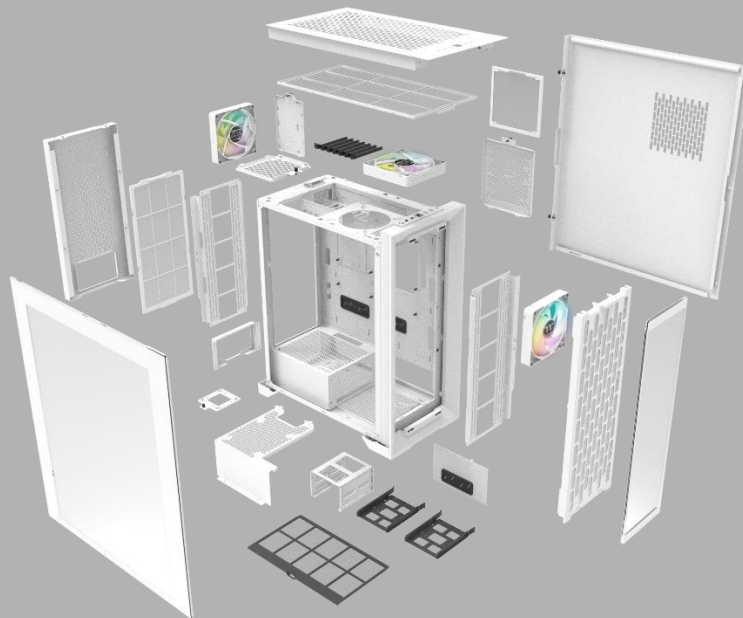
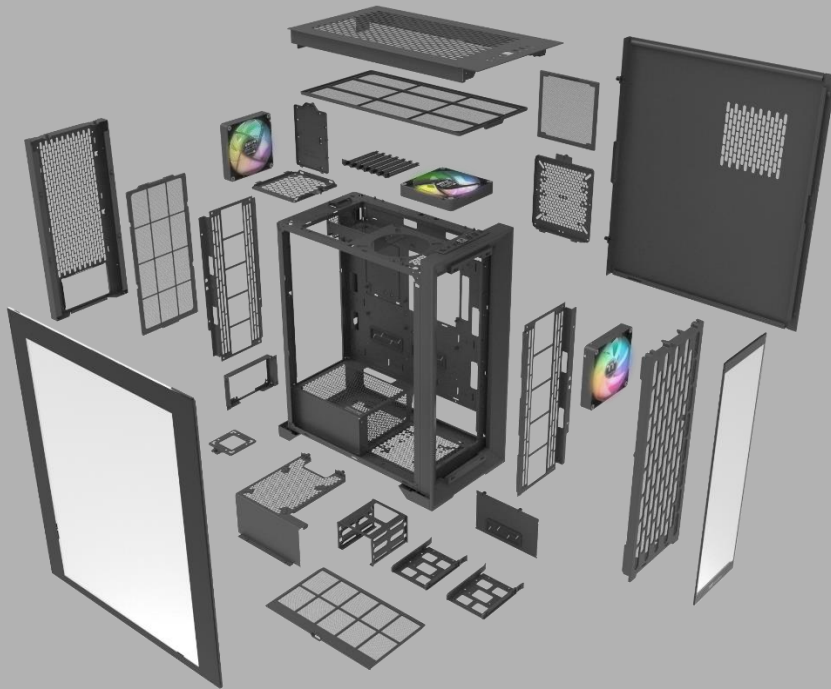
Back





Thermaltake CTE T500 TG ARGB Full Tower Chassis

Exploded View



Pre-installed ARGB Fans



Pre-installed three hydraulic bearing **CT140 ARGB** fans which can effectively lower the operation noise and enhance the thermal efficiency.



Black Version



Snow Version

SPEC for Case **CT140** fans

-Fan Speed: 500~1500 RPM

-Max. Fan Airflow: 77.37 CFM

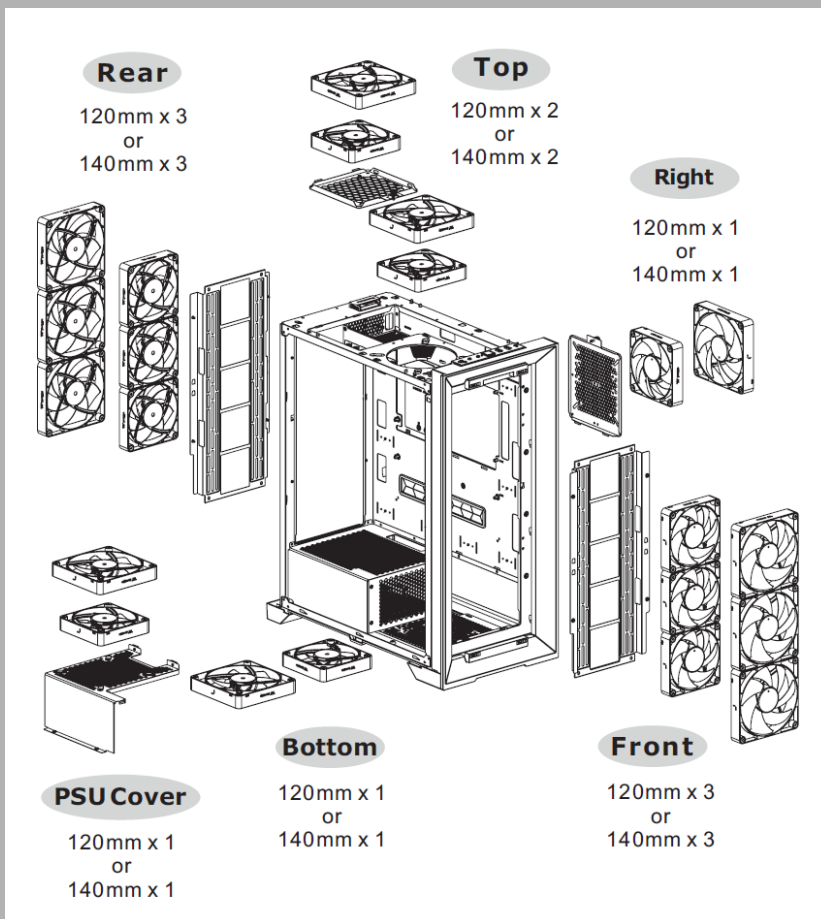
- Max. Fan Air Pressure: 2.3 mm-H2O

- Fan Noise Level: 30.5 dBA

-Fan Bearing: Hydraulic bearing

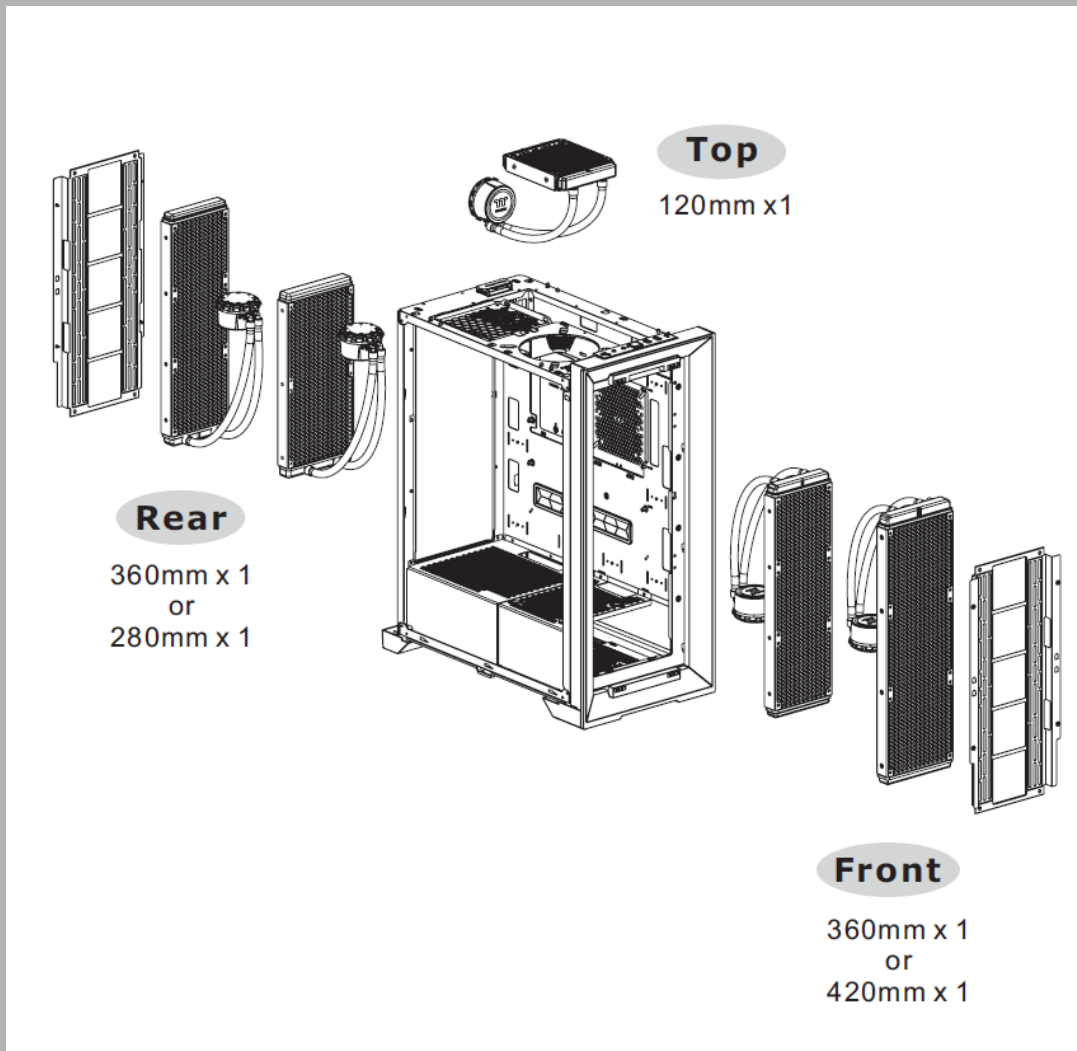
Compatibility List

| Fan Compatibility List | | | |
|------------------------|-------|-------|-------|
| | 120mm | 140mm | 200mm |
| Front | 3 | 3 | - |
| Top | 2 | 2 | - |
| Right | 1 | 1 | - |
| Rear | 3 | 3 | - |
| Bottom | 1 | 1 | - |
| Power Cover | 1 | 1 | - |



All-in-One Compatibility

| All-in-One Compatibility List | | | | | | |
|-------------------------------|-------|-------|-------|-------|-------|-------|
| | 120mm | 240mm | 360mm | 140mm | 280mm | 420mm |
| Front | ● | ● | ● | ● | ● | ● |
| Top | ● | - | - | - | - | - |
| Rear | ● | ● | ● | ● | ● | - |
| Bottom | - | - | - | - | - | - |



DIY Liquid Cooling Compatibility

| DIY Liquid Cooling Compatibility List | | | | | | |
|---------------------------------------|-------|-------|-------|-------|-------|-------|
| | 120mm | 240mm | 360mm | 140mm | 280mm | 420mm |
| Front | ● | ● | ● | ● | ● | - |
| Top | - | - | - | - | - | - |
| Rear | ● | ● | ● | ● | ● | - |
| Bottom | - | - | - | - | - | - |

