

- **Style:** CTE (Centralized Thermal Efficiency) Form Factor Design
- **Size:** Mid Tower supports up to E-ATX MB
- **Material:** Steel & Tempered Glass

## Datasheet

### Main Features

- **Connection :** Front I/O ports with 2 x USB 3.0 & 1 x USB 3.2 (Gen 2) Type C
- **Ventilation :** 3 preinstalled 140mm CT140 ARGB fan
- **Supports :** Supports AIO/DIY cooling solutions



Spec	Model	CTE C700 TG ARGB	CTE C700 TG ARGB Snow
	P/N	CA-1X7-00F1WN-01	CA-1X7-00F6WN-01
	Case Type	Mid Tower	
	Chassis Dimension (H*W*D)	566.5 x 327.6 x 505.5 mm (22.3 x 12.9 x 19.9 inch)	
	Net Weight	15.6 kg / 34.39 lbs.	15.8 kg / 34.83 lbs.
	Panel	4mm Tempered Glass x 2	
	Color	Black	White
	Material	SPCC / ABS	
	Cooling System	<b>Front(intake):</b> 140 x 140 x 25 mm CT140 ARGB fan (1500rpm, 30.5 dBA) x 1 <b>Top(exhaust):</b> 140 x 140 x 25 mm CT140 ARGB fan (1500rpm, 30.5 dBA) x 1 <b>Rear(intake):</b> 140 x 140 x 25 mm CT140 ARGB fan (1500rpm, 30.5 dBA) x 1	<b>Front(intake):</b> 140 x 140 x 25 mm CT140 ARGB <b>white</b> fan (1500rpm, 30.5 dBA) x 1 <b>Top(exhaust):</b> 140 x 140 x 25 mm CT140 ARGB <b>white</b> fan (1500rpm, 30.5 dBA) x 1 <b>Rear(intake):</b> 140 x 140 x 25 mm CT140 ARGB <b>white</b> fan (1500rpm, 30.5 dBA) x 1
	Drive Bays	7 x 3.5" or 6 x 2.5"	
	Expansion Slots	7	
	Motherboards	6.7" x 6.7" (Mini ITX), 9.6" x 9.6" (Micro ATX), 12" x 9.6" (ATX), 12" x 13" (E-ATX)	
	I/O Port	USB 3.2 (Gen 2) Type-C x 1, USB 3.0 x 2, HD Audio x 1	
	PSU	Standard PS2 PSU (optional)	
	Fan Support	<b>Front:</b> 3 x 120mm, 2 x 120mm, 1 x 120mm 3 x 140mm, 2 x 140mm, 1 x 140mm 2 x 200mm, 1 x 200mm <b>Top:</b> 2 x 120mm, 1 x 120mm 2 x 140mm, 1 x 140mm <b>Right:</b> 1 x 120mm, 1 x 140mm <b>Rear:</b> 3 x 120mm, 2 x 120mm, 1 x 120mm 3 x 140mm, 2 x 140mm, 1 x 140mm <b>Bottom:</b> 3 x 120mm, 2 x 120mm, 1 x 120mm 2 x 140mm, 1 x 140mm	
	Radiator Support	<b>Front:</b> 1 x 360mm, 1 x 240mm, 1 x 120mm 1 x 420mm(AIO only), 1 x 280mm, 1 x 140mm <b>Rear:</b> 1 x 360mm, 1 x 240mm, 1 x 120mm 1 x 420mm(AIO only), 1 x 280mm, 1 x 140mm <b>Bottom:</b> 1 x 360mm, 1 x 240mm, 1 x 120mm 1 x 280mm, 1 x 140mm	
	Clearance	<b>CPU cooler max height:</b> 190mm <b>VGA max length:</b> 327mm (With radiator) 410mm (Without radiator) <b>PSU max length:</b> 220mm	

## Packaging

Package Information	CTE C700 TG ARGB	CTE C700 TG ARGB Snow
EAN Code	4713227537186	4713227537193
UPC Code	841163087190	841163087206
N.W	15.6 kg / 34.39 lbs.	15.8 kg / 34.83 lbs.
G.W	18.5 kg / 40.79 lbs.	18.8 kg / 41.45 lbs.
Carton Size (L x W x H)	604 x 429 x 676 mm / 23.78 x 16.89 x 26.61 inch	
Cuft	6.18	
Container	w/o pallet	
20'	152 pcs	
40'	320 pcs	
40' HQ	377 pcs	





# Thermaltake CTE C700 TG ARGB Mid Tower Chassis

Appearance –  
Black version



Angle view



Left Side view



Front view



Right Side view



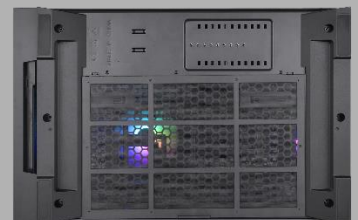
Internal Structure



Rear view



Top view



Bottom view



# Thermaltake CTE C700 TG ARGB Mid Tower Chassis

Appearance –  
Snow version



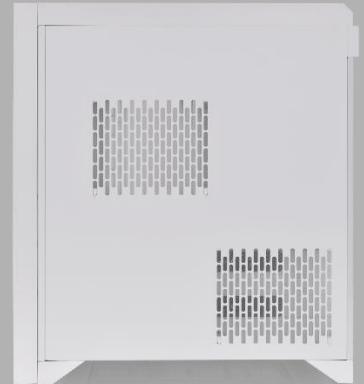
Angle view



Left Side view



Front view



Right Side view



Internal Structure



Rear view



Top view



Bottom view



# Thermaltake CTE C700 TG ARGB Mid Tower Chassis

## Clearance



Maximum supports up to 140mm fan x 11

Maximum radiator supports up to 420mm at front



Maximum 120/140mm top fan x 2

## Structure (External)



**USB 3.2 (Gen 2) Type-C x 1**

**USB 3.0 x 2**

**HD Audio**



**4mm Tempered Glass x 2**

## Structure (Internal)



Front filter



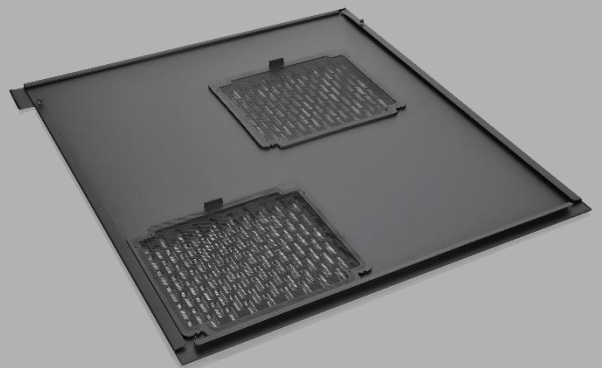
Top filter



Rear filter



Bottom filter



Right side filter



## Structure (Internal)

It can support up to 2.5" SSD x 6



Place A

or



Place B



It can support up to 3.5" HDD x 7

## Structure (Internal)



Pump bracket is compatible with Pacific PR12-D5 Plus



120mm Fan x 3  
at the bottom



140mm Fan x 2  
at the bottom

## Structure (Internal)



Preinstalled 140mm  
CT140 fan at the  
front/top/rear



120/140mm Right fan x1 with HDD bracket



# Thermaltake CTE C700 TG ARGB Mid Tower Chassis

## Structure (Internal)



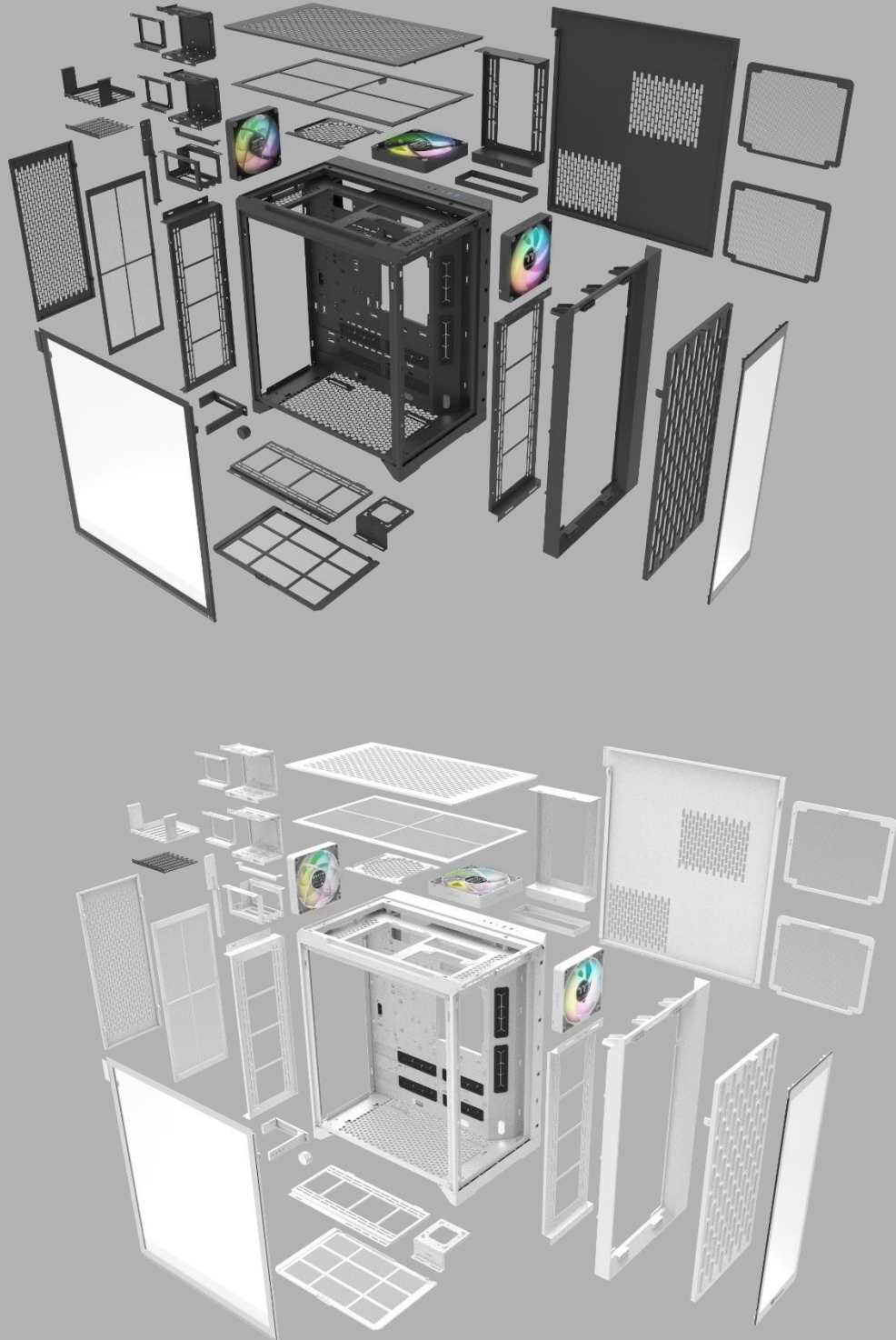
## Rotatable PCI-E Design





# Thermaltake CTE C700 TG ARGB Mid Tower Chassis

## Exploded View



## Pre-installed ARGB Fans



Pre-installed three hydraulic bearing **CT140 ARGB** fans which can effectively lower the operation noise and enhance the thermal efficiency.



Black Version



Snow Version

SPEC for Case **CT140** fans

-Fan Speed: 500~1500 RPM

-Max. Fan Airflow: 77.37 CFM

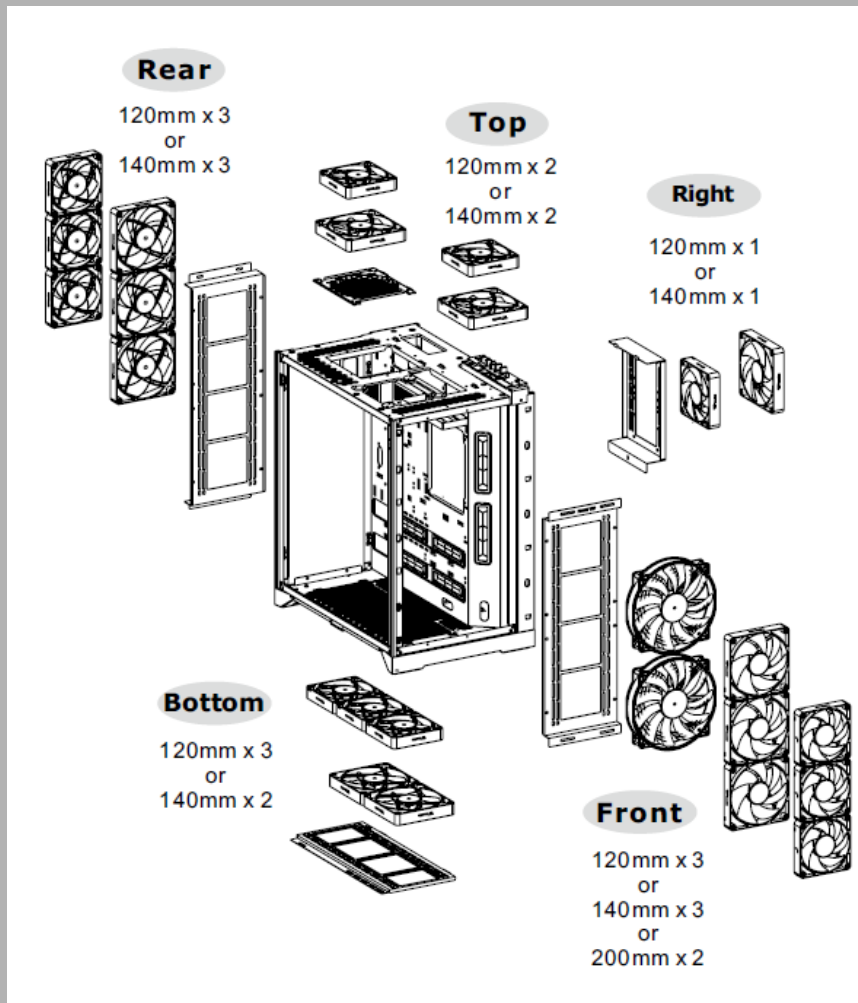
- Max. Fan Air Pressure: 2.3 mm-H2O

- Fan Noise Level: 30.5 dBA

-Fan Bearing: Hydraulic bearing

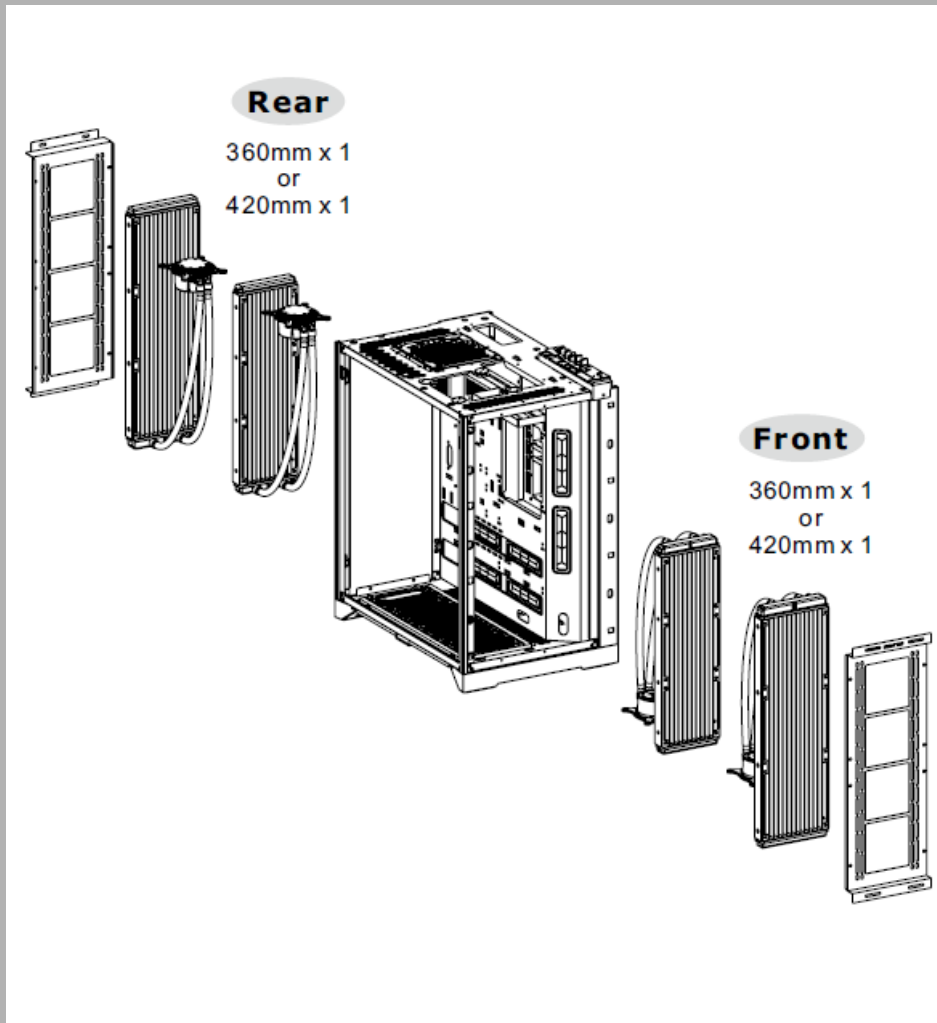
## Compatibility List

Fan Compatibility List			
	120mm	140mm	200mm
Front	3	3	2
Top	2	2	-
Right	1	1	-
Rear	3	3	-
Bottom	3	2	-



## All-in-One Compatibility

All-in-One Compatibility List						
	120mm	240mm	360mm	140mm	280mm	420mm
Front	●	●	●	●	●	●
Right	-	-	-	-	-	-
Rear	●	●	●	●	●	●
Bottom	-	-	-	-	-	-





## DIY Liquid Cooling Compatibility

DIY Liquid Cooling Compatibility List						
	120mm	240mm	360mm	140mm	280mm	420mm
Front	●	●	●	●	●	-
Top	-	-	-	-	-	-
Rear	●	●	●	●	●	-
Bottom	●	●	●	●	●	-

