

- **Style: Gaming**
- **Size: Mid Tower supports up to ATX MB**
- **Material: Steel & Tempered Glass**

Main Features

- **Connection** : Front I/O ports with 2 x USB 3.0 & 1 x USB 3.2 (Gen 2) Type C
- **Expansion** : 6+2 drive bays with modular drive trays design
- **Support** : LCS & Advance Cable Management



Specification

Model	Core P6 TG	Core P6 TG Snow
P/N	CA-1V2-00M1WN-00	CA-1V2-00M6WN-00
Case Type	Mid Tower	
Chassis Dimension (H*W*D)	565 x 255 x 530mm (22.2 x 10 x 20.9 inch)	
Net Weight	17.84 kg / 39.33 lbs.	
Side Panel	4mm Tempered Glass x 3	
Color	Black	White
Material	SPCC	
Cooling System	-	
Drive Bays	4 x 3.5" or 8 x 2.5"	
Expansion Slots	7 (Rotatable Patented Design)	
Motherboards	6.7" x 6.7" (Mini ITX), 9.6" x 9.6" (Micro ATX), 12" x 9.6" (ATX), 12" x 10.5" (CEB)	
I/O Port	USB 3.2 (Gen 2) Type-C x 1, USB 3.0 x 2, USB 2.0 x 2, HD Audio x 1	
PSU	Standard PS2 PSU (optional)	
Fan Support	Front: 3 x 120mm, 2 x 120mm, 1 x 120mm 2 x 140mm, 1 x 140mm Top: 3 x 120mm, 2 x 120mm, 1 x 120mm 2 x 140mm, 1 x 140mm Rear: 1 x 120mm Right (M/B Side): 3 x 120mm, 2 x 120mm, 1 x 120mm 2 x 140mm, 1 x 140mm Bottom: 3 x 120mm, 2 x 120mm or 1 x 120mm 2 x 140mm, 1 x 140mm	
Radiator Support	Front: 1 x 360mm, 1 x 240mm, 1 x 120mm 1 x 280mm, 1 x 140mm Top: 1 x 360mm, 1 x 240mm, 1 x 120mm 1 x 280mm, 1 x 140mm Rear: 1 x 120mm Right (M/B Side): 1 x 360mm, 1 x 240mm, 1 x 120mm 1 x 280mm, 1 x 140mm Bottom: 1 x 240mm, 1 x 120mm	
Clearance	CPU cooler height limitation: 180mm VGA length limitation: 300mm(With Reservoir) 400mm(Without Reservoir) 430mm(With Radiator) 458mm(Without Radiator) PSU length limitation: 200mm	

Packaging

Package Information	Core P6 TG	Core P6 TG Snow
EAN Code	4713227528580	4713227528597
UPC Code	841163078594	841163078600
N.W	17.84 kg / 39.33 lbs.	
G.W	19.75 kg / 43.54 lbs.	
Carton Size (L x W x H)	601 x 328 x 652 mm / 23.7 x 12.9 x 25.7 inch	
Cuft	4.54	
Container	w/o pallet	
20'	224 pcs	
40'	464 pcs	
40' HQ	543 pcs	



Appearance – Black version



Top view



Left Side view



Front view



Bottom view

Appearance – Black version



Right Side view (Without Side Panel)



Angle view

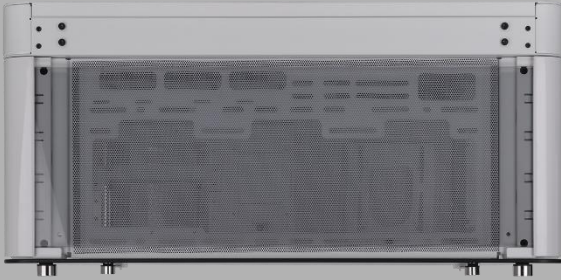


Right Side view



Rear view

Appearance – Snow version



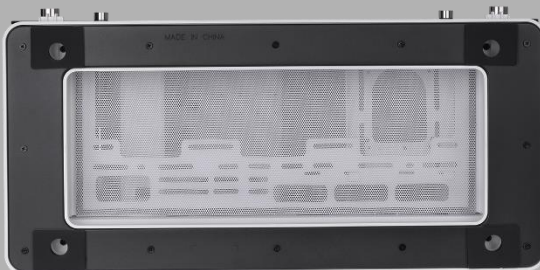
Top view



Left Side view



Front view



Bottom view

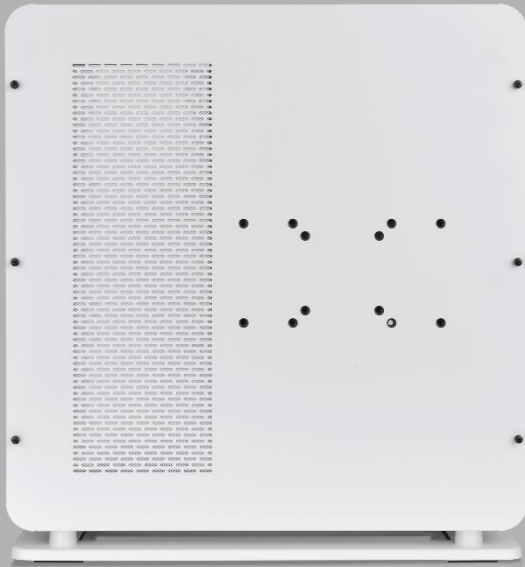
Appearance – Snow version



Right Side view (Without Side Panel)



Angle view



Right Side view



Rear view

Rotational VGA bracket design

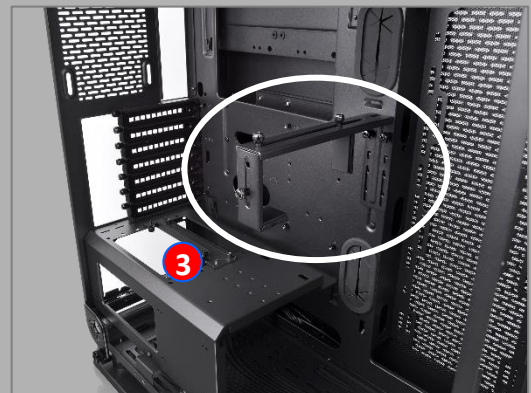
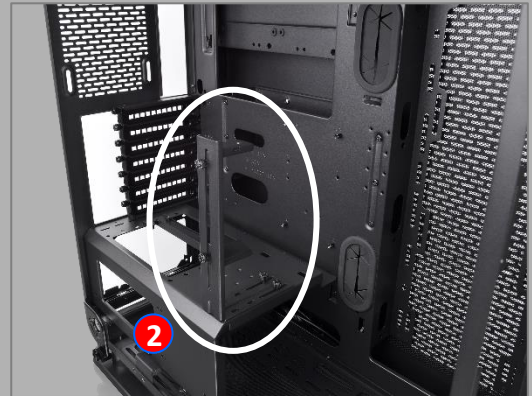
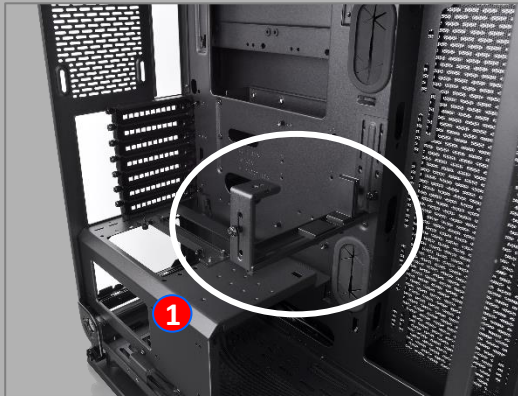


Vertical VGA Bracket



Horizontal VGA bracket

VGA bracket in accessory box supports 3-way horizontal installation



Unique Design

Maximum fan support up to
13 x 120mm



Maximum radiator support up
to 360mm

Structure (External)

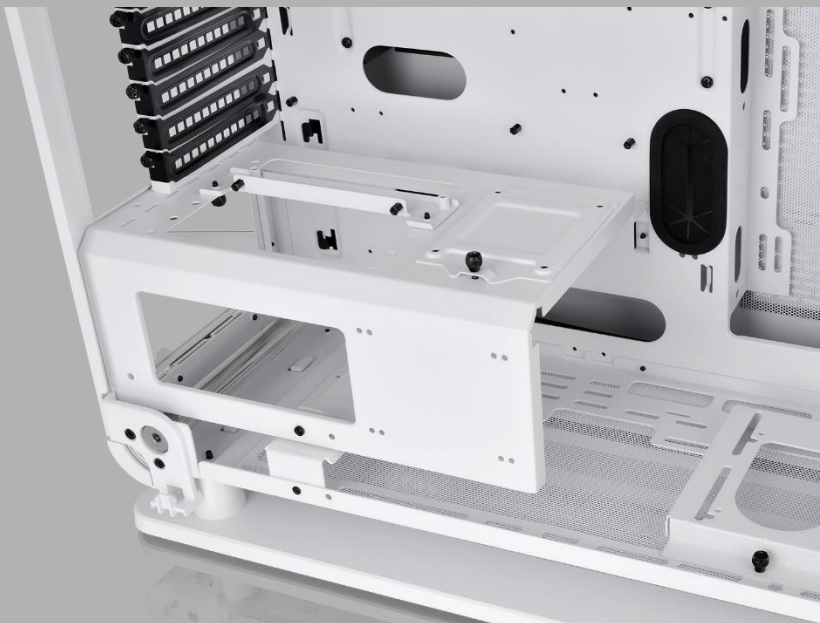


USB 3.2 (Gen 2) Type-C x 1

USB 3.0 x 2

USB 2.0 x 2

HD Audio



Power Cover

Structure (External)

2-Way Installation Style



Wall-Mount placement

Vertical placement



Structure (Internal)



8 x 2.5"

or

4 x 3.5"



Structure (Internal)

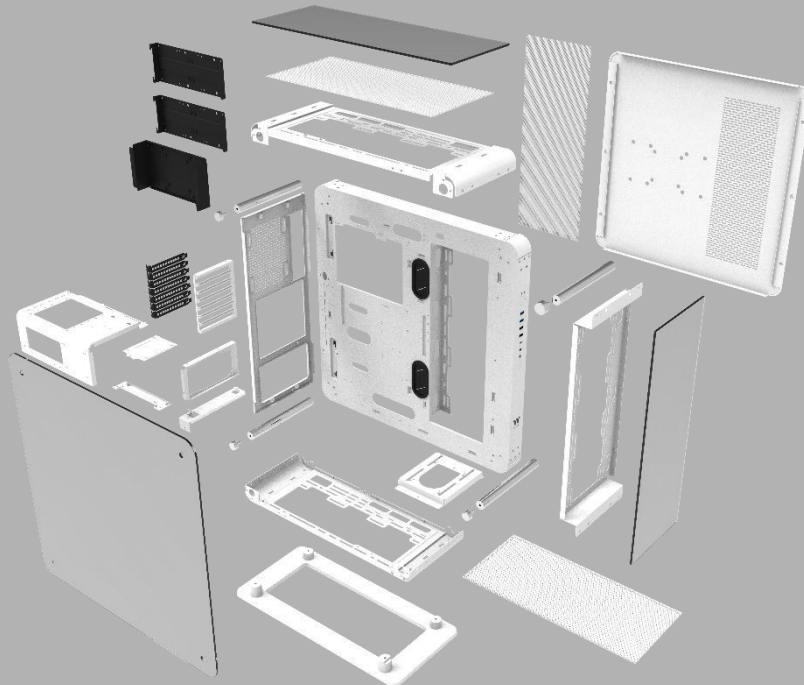
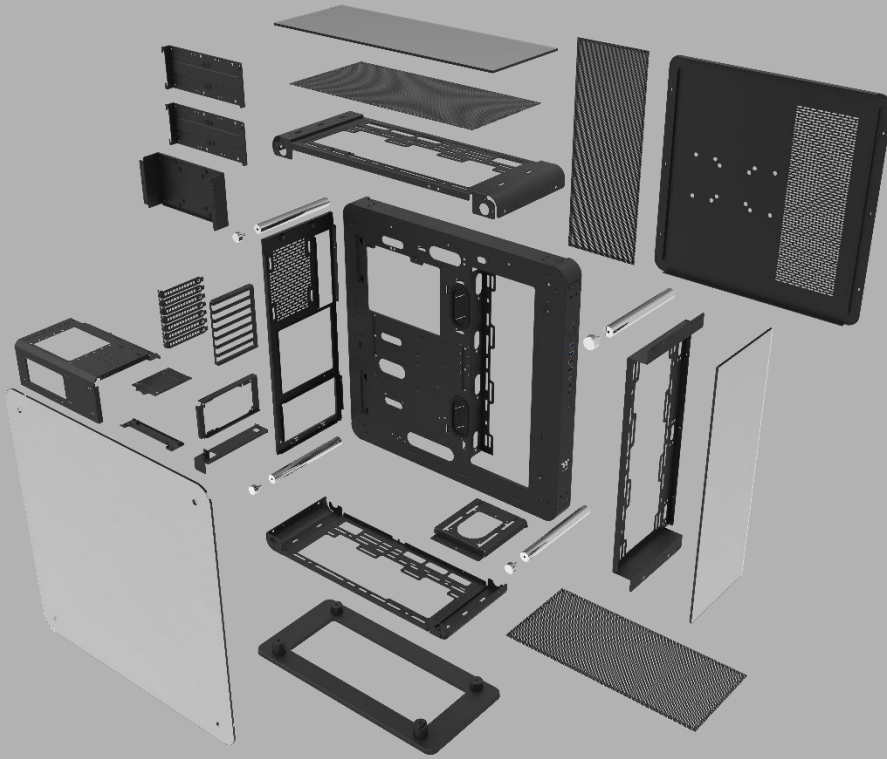


Compatible with **DP-100-D5 Plus Distro-Plate**
with Right side(M/B side)



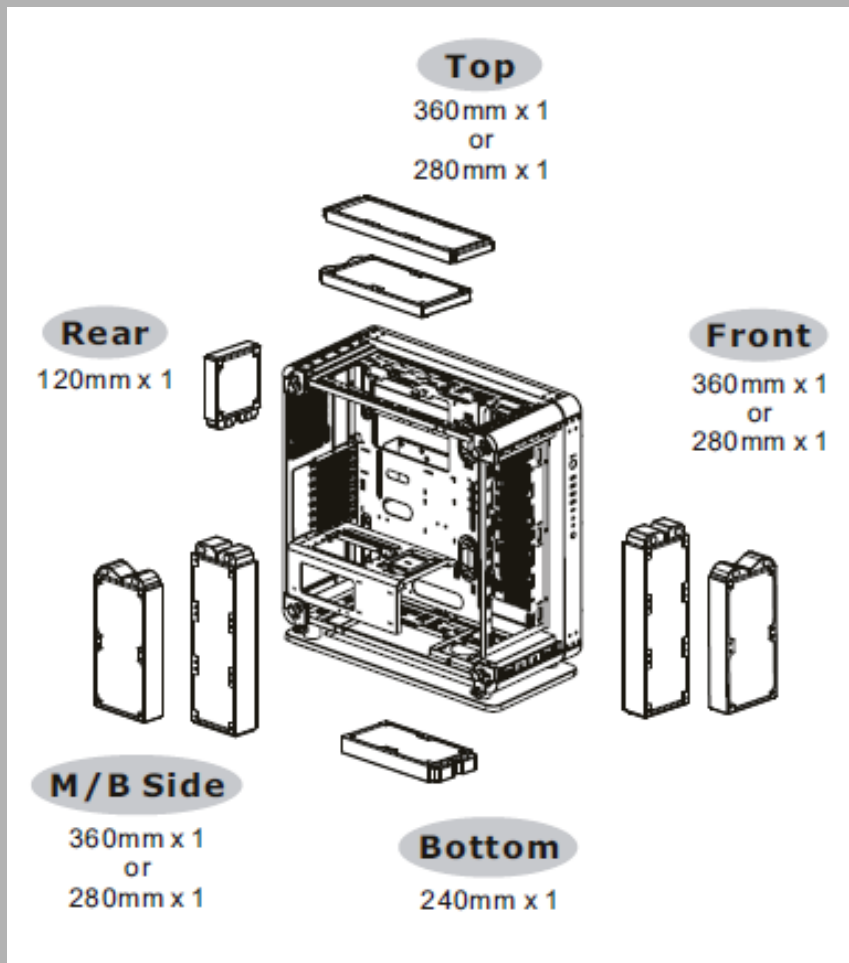
Compatible with **Pacific PR22-D5 Plus**

Exploded View



The Cooling System – DIY Liquid Cooling (Optional)

Radiator Compatibility List					
	120mm	240mm	360mm	140mm	280mm
Front	●	●	●	●	●
Top	●	●	●	●	●
Rear	●	-	-	-	-
Right (M/B side)	●	●	●	●	●
Bottom	●	●	-	-	-



Compatibility List

Fan Compatibility List		
	120mm	140mm
Front	3	2
Top	3	2
Rear	1	-
Right (M/B side)	3	2
Bottom	3	2

