

- **Style: Simple**
- **Size: Mid Tower supports up to E-ATX MB**
- **Material: Steel & Tempered Glass**

Main Features

- **Connection** : Front I/O ports with 2 x USB 3.0 & 1 x USB 3.2 (Gen 2) Type C
- **Ventilation**: Preinstalled 140mm ARGB fan x 4
- **Support** : Supports AIO cooling solutions



Specification

Model	Ceres 500 TG ARGB	Ceres 500 TG ARGB Snow
P/N	CA-1X5-00M1WN-00	CA-1X5-00M6WN-00
Case Type	Mid Tower	
Chassis Dimension (H*W*D)	525 x 245 x 507.7 mm (20.7 x 9.6 x 20 inch)	
Net Weight	10.5 kg / 23.15 lbs.	
Panel	3mm Tempered Glass x 1	
Color	Black	White
Material	SPCC	
Cooling System	Front(intake): 140 x 140 x 25 mm CT140 ARGB fan (1500rpm, 30.5 dBA) x 3 Rear(exhaust): 140 x 140 x 25 mm CT140 ARGB fan (1500rpm, 30.5 dBA) x 1	
Drive Bays	2 x 3.5", 6 x 2.5" or 8 x 2.5"	
Expansion Slots	7 (Rotatable Patented Design)	
Motherboards	6.7" x 6.7" (Mini ITX), 9.6" x 9.6" (Micro ATX), 12" x 9.6" (ATX), 12" x 13" (E-ATX)	
I/O Port	USB 3.2 (Gen 2) Type-C x 1, USB 3.0 x 2, HD Audio x 1	
PSU	Standard PS2 PSU (optional)	
Fan Support	Front: 3 x 120mm, 2 x 120mm, 1 x 120mm 3 x 140mm, 2 x 140mm, 1 x 140mm Top: 3 x 120mm, 2 x 120mm, 1 x 120mm 3 x 140mm, 2 x 140mm, 1 x 140mm Rear: 1 x 120mm, 1 x 140mm	
Radiator Support	Front: 1 x 360mm, 1 x 240mm, 1 x 120mm 1 x 420mm, 1 x 280mm, 1 x 140mm Top: 1 x 360mm, 1 x 240mm, 1 x 120mm 1 x 280mm, 1 x 140mm Rear: 1 x 120mm	
Clearance	CPU cooler max height: 185mm VGA max length: 395mm (with radiator) 425mm (without radiator) PSU max length: 220mm	

Packaging

Package Information	Ceres 500 TG ARGB	Ceres 500 TG ARGB Snow
EAN Code	4713227535502	4713227536097
UPC Code	841163085516	841163086100
N.W	10.5 kg / 23.15 lbs.	
G.W	12 kg / 26.46 lbs.	
Carton Size (L x W x H)	565 x 320 x 580 mm / 22.2 x 12.6 x 22.8 inch	
Cuft	3.7	
Container	w/o pallet	
20'	279 pcs	
40'	575 pcs	
40' HQ	655 pcs	



Appearance – Black version



Angle view



Left Side view



Front view



Right Side view



Internal Structure



Rear view



Top view



Bottom view

Appearance –
Snow version



Angle view



Left Side view



Front view



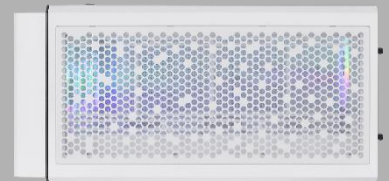
Right Side view



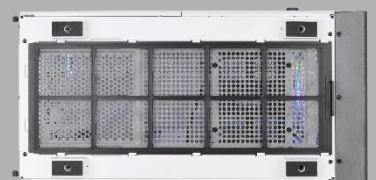
Internal Structure



Rear view



Top view



Bottom view

Clearance



Maximum support up
to 140mm fan x 7

Maximum radiator support
up to 420mm at front
(radiator Thickness limitation: 27mm)



3mm Tempered Glass
Window x 1

Structure (External)



USB 3.2 (Gen 2) Type-C x 1

USB 3.0 x 2

HD Audio



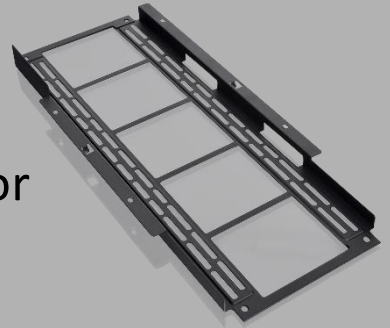
Full length power cover

Structure (Internal)

Preinstalled CT140
ARGB fan x 4



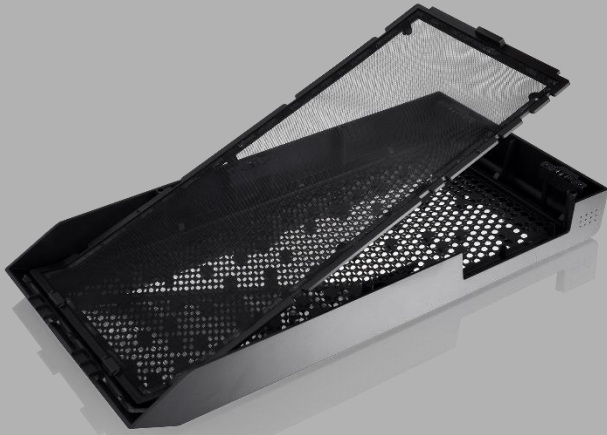
Removable front
fan/radiator bracket for
easier installation



Velcro Straps for better
cable management



Structure (Internal)



Front filter



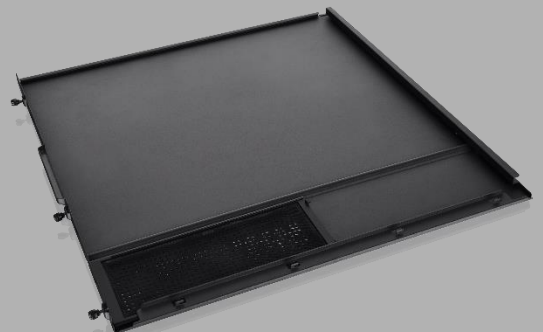
Top filter



Bottom filter



Left side filter



Right side filter

Rotational VGA bracket design



Horizontal VGA
installation

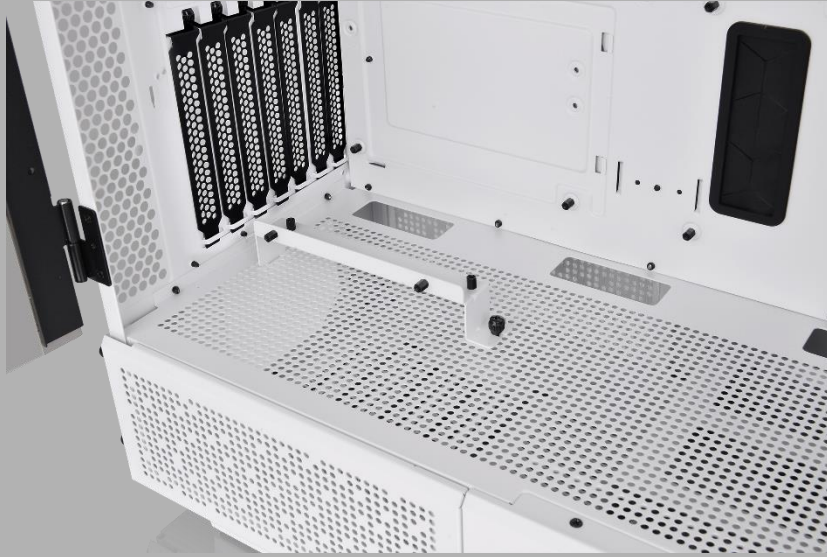


Vertical VGA
installation



VGA Bracket supports horizontal VGA installation

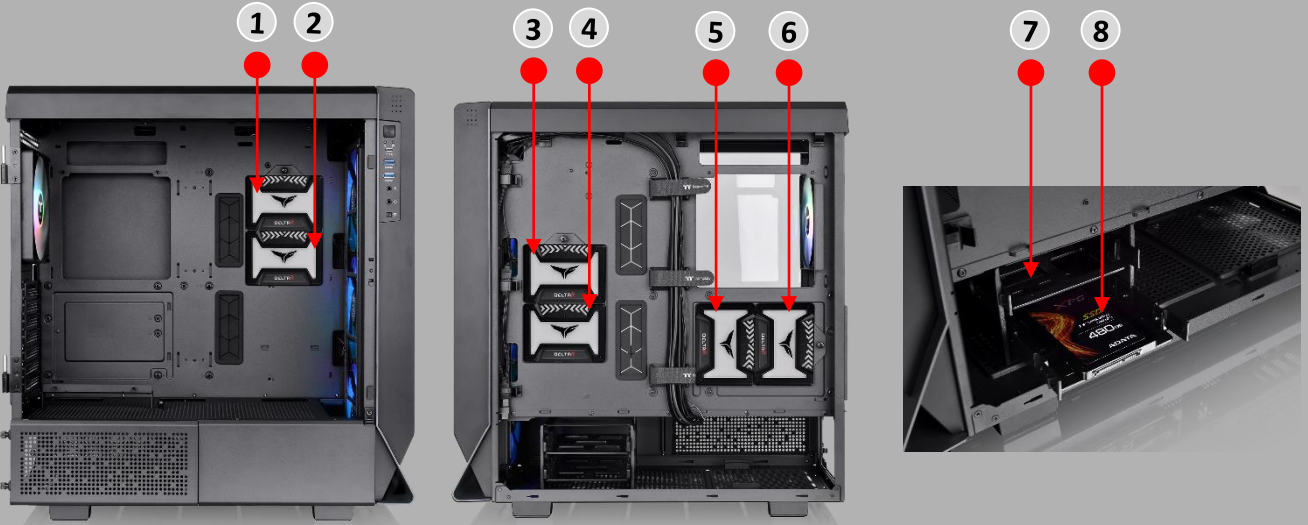
Structure (Internal)



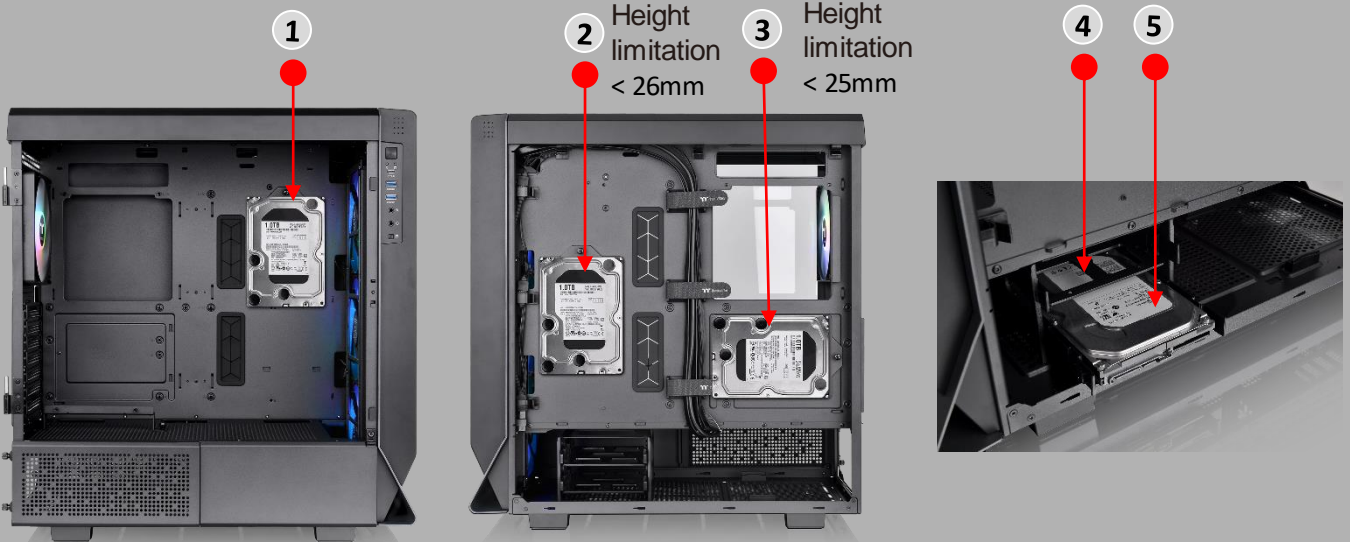
VGA Support Bracket supports
90°/180° riser cable installation



Structure (Internal)



Maximum support up to 2.5" SSD x 8



Maximum support up to 3.5" HDD x 5

Pre-installed ARGB Fans



Pre-installed four hydraulic bearing **CT140 ARGB** fans which can effectively lower the operation noise and enhance the thermal efficiency.



Black Version



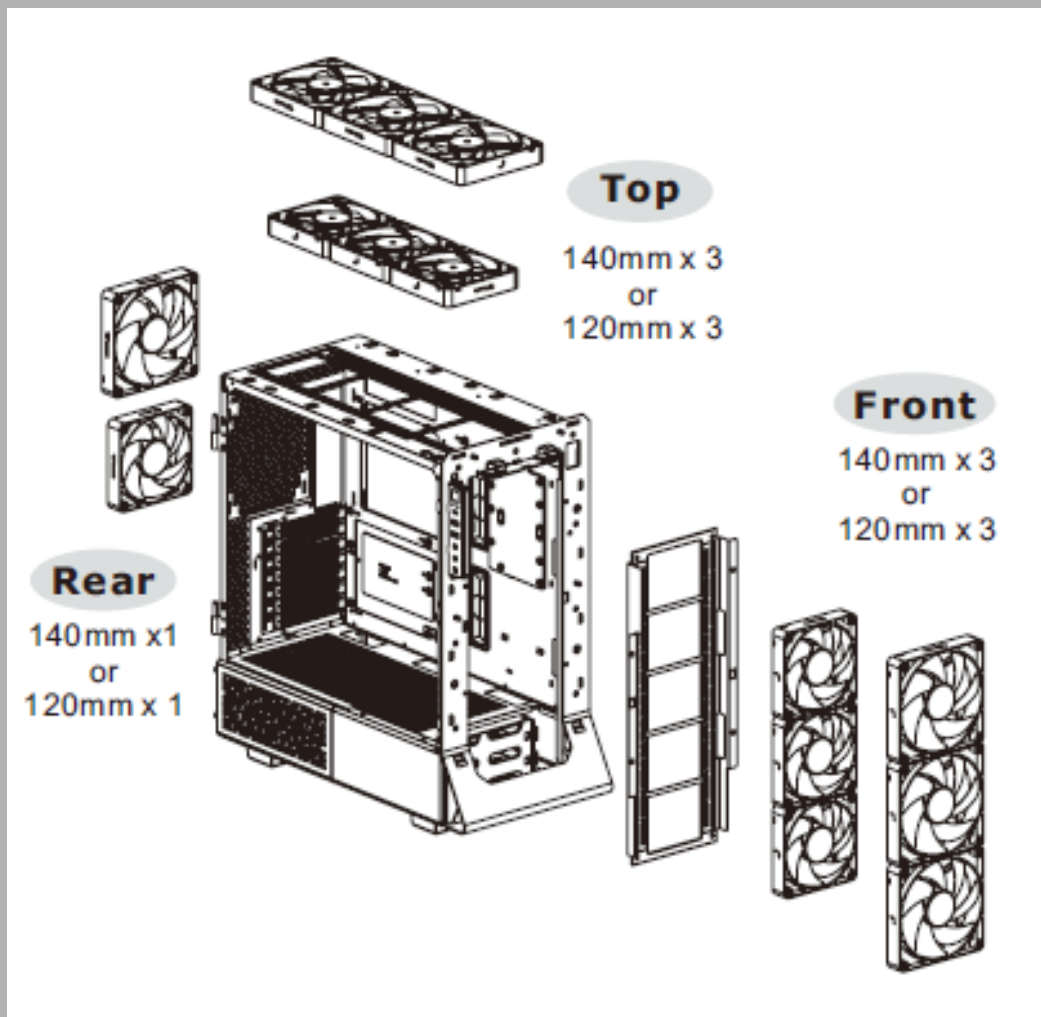
Snow Version

SPEC for Case ARGB **CT140 ARGB** fans

- Fan Speed: 500~1500 RPM
- Max. Fan Airflow: 71.37 CFM
- Max. Fan Air Pressure: 2.19 mm-H2O
- Fan Noise Level: 30.5 dBA
- Fan Bearing: Hydraulic bearing

Compatibility List

Fan Compatibility List			
	120mm	140mm	200mm
Front	3	3	-
Top	3	3	-
Rear	1	1	-



All-in-One Compatibility

All-in-One Compatibility List						
	120mm	240mm	360mm	140mm	280mm	420mm
Front	●	●	●	●	●	●
Top	●	●	●	●	●	-
Rear	●	-	-	-	-	-

