



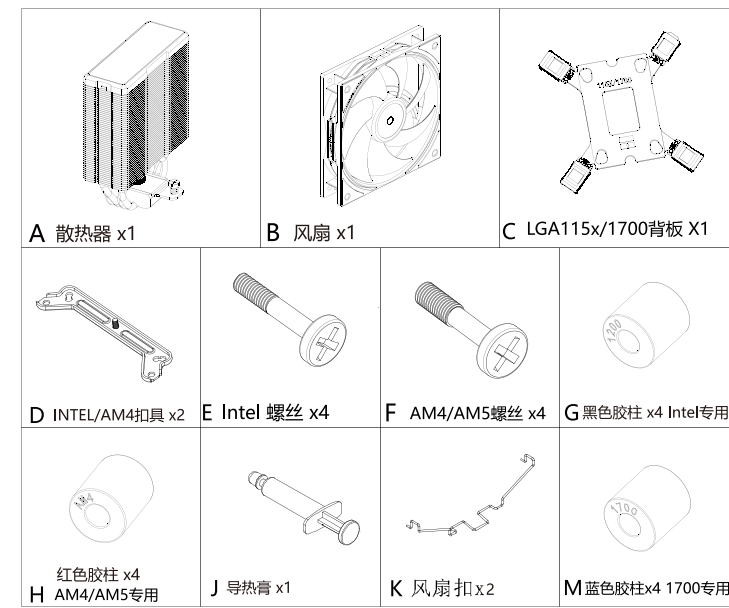
安装说明

Assassin X 120 REFINED Digital 系列

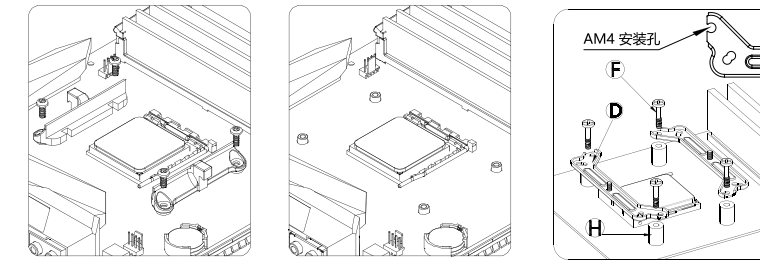
! 安装前请先去除铝底保护膜

www.thermalright.com

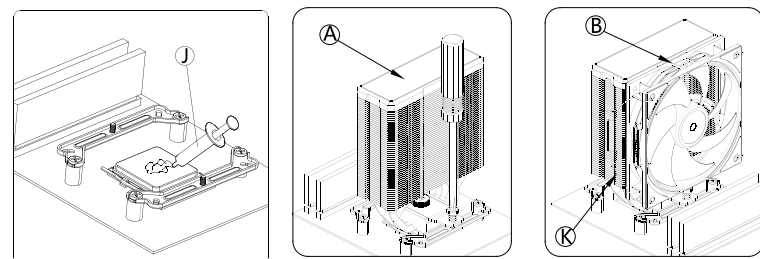
配件清单



AMD AM4/AM5

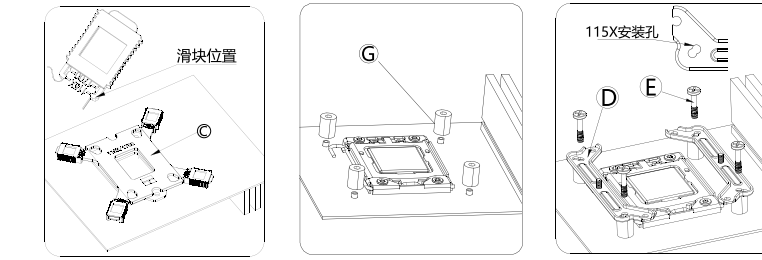


移除AMD原装塑胶支架,保留背板;使用AM4/AM5螺丝【F】将扣具【D】固定到背板

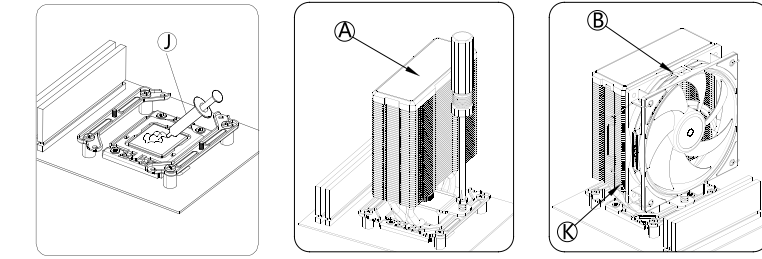


涂好导热膏,然后先锁好散热器,再固定风扇

INTEL LGA115X/1200

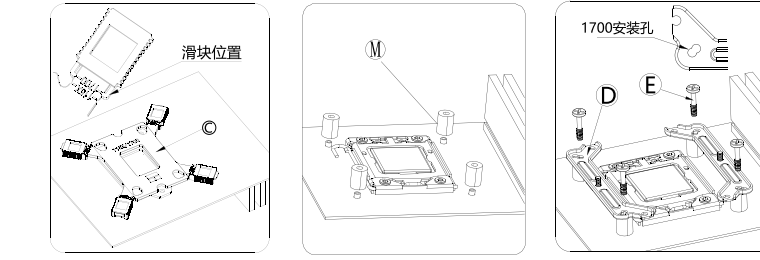


将背板【C】推到115X位置放置在主板背面,然后正面放置胶柱【G】,扣具【D】,再用螺丝【E】固定住扣具。

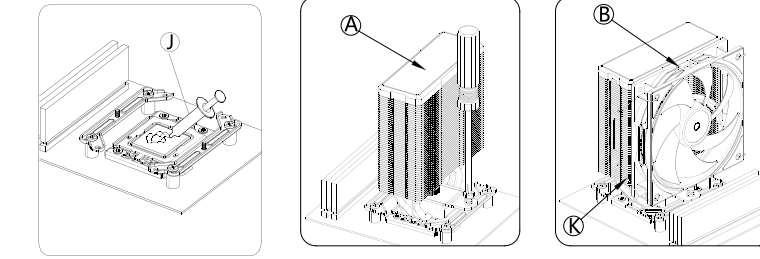


涂好导热膏,然后先锁好散热器,再固定风扇

INTEL LGA1700/1851

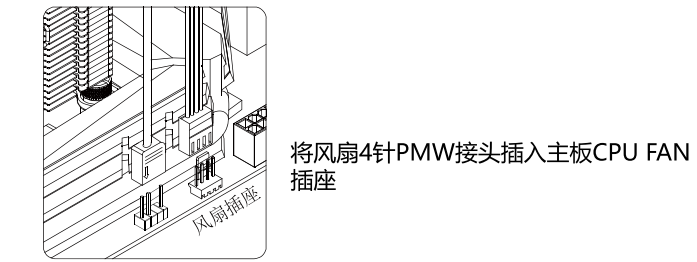


将背板【C】推到1700位置放置在主板背面,然后正面放置胶柱【M】,扣具【D】,再用螺丝【E】固定住扣具。

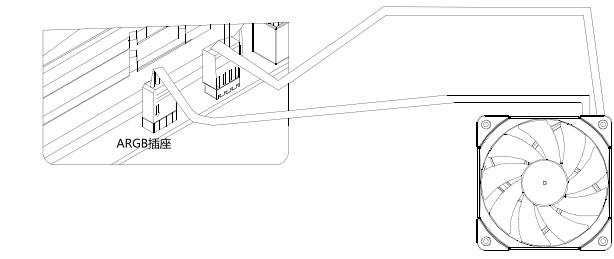


涂好导热膏,然后先锁好散热器,再固定风扇

风扇接线

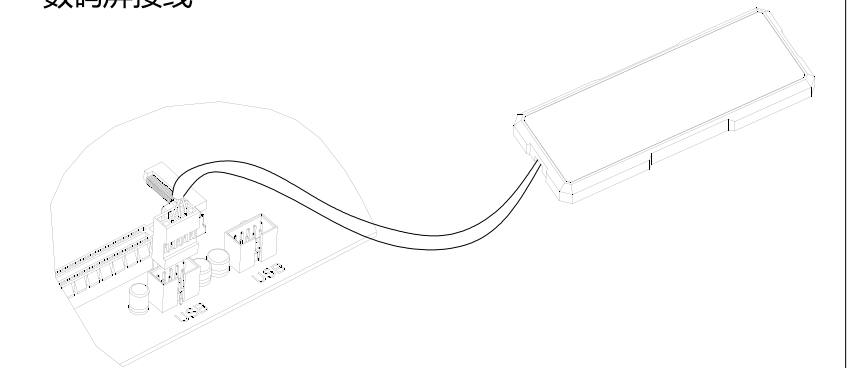


将风扇4针PWM接头插入主板CPU_FAN插座



如果风扇有ARGB灯效, 请将ARGB 3针(5V) 插入主板对应ARGB灯效插座或者控制器

数码屏接线



- 1.数码屏的供电和数据通信传输均由主板9针USB接口提供。软件安装前请确认接线完整
- 2.软件可在官网下载: <https://www.thermalright.com/support/download/> 解压并双击安装程序安装
- 3.桌面双击软件快捷方式图标运行软件
- 4.本数码屏的实时数据监控/数据传输/开启关闭等功能均由软件控制。安装完成默认随电脑开机启动,并在任务栏常驻后台,请勿关闭/强制退出。



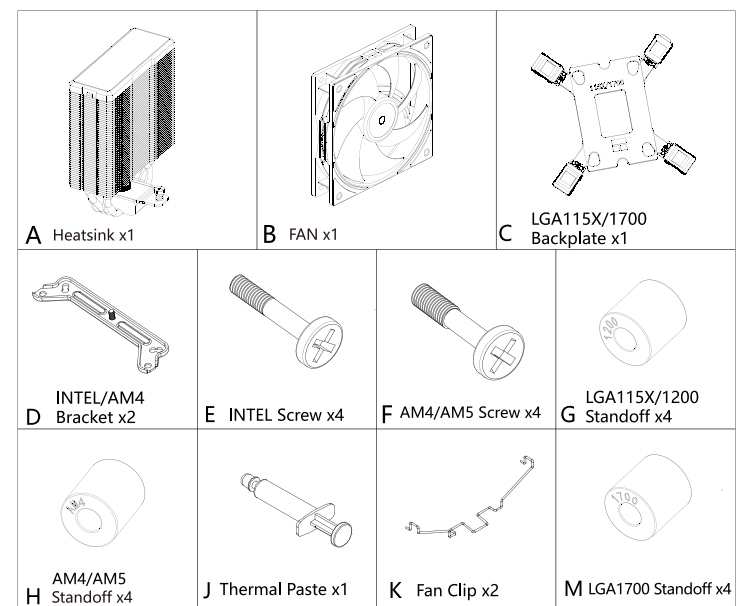
INSTALLATION GUIDE

Assassin X 120 REFINED Digital Series

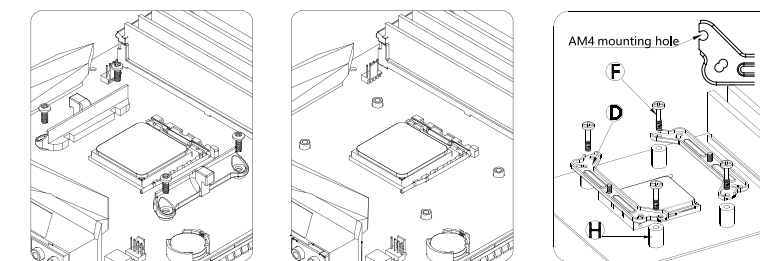
Please remove protective sticker before install

www.thermalright.com

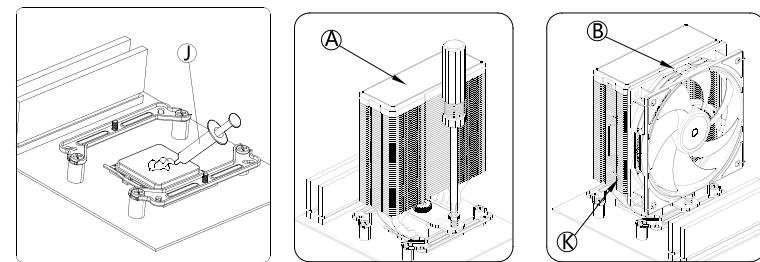
parts list



AMD AM4/AM5

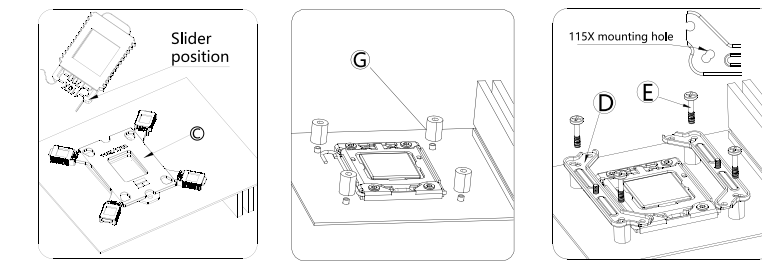


REMOVE AMD AM4 plastic brackets, KEEP the back plate, install AM4 metal brackets with AM4 screws and AM4 plastic standoffs

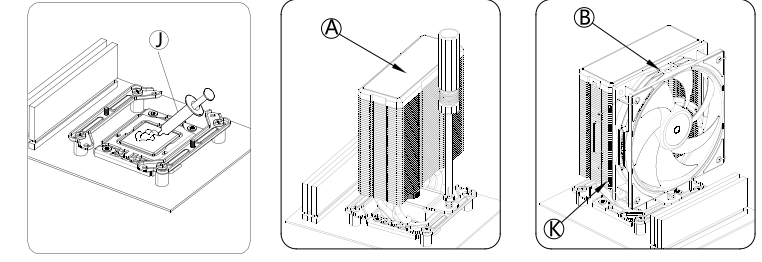


Apply thermal paste on CPU, install the heatsink with a screw driver, and install fans on heatsink with fan clips

INTEL LGA115X/1200

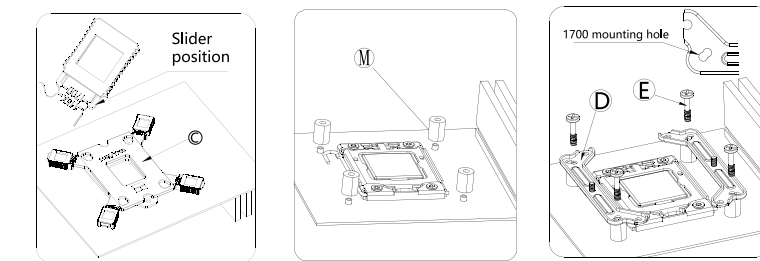


Adjust backplate mounting hole position, install backplate from back side of motherboard, place LGA115X/1200 standoffs from front side, install brackets with screws.

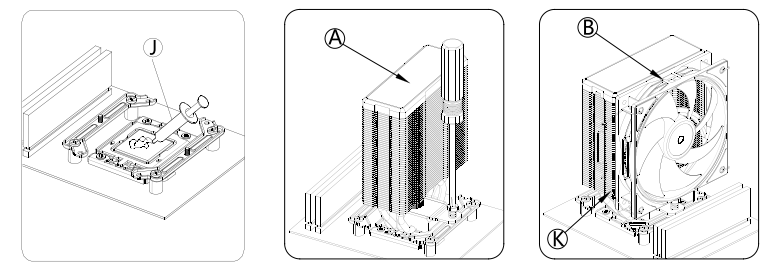


Apply thermal paste on CPU, install the heatsink with a screw driver, and install fans on heatsink with fan clips

INTEL LGA1700/1851

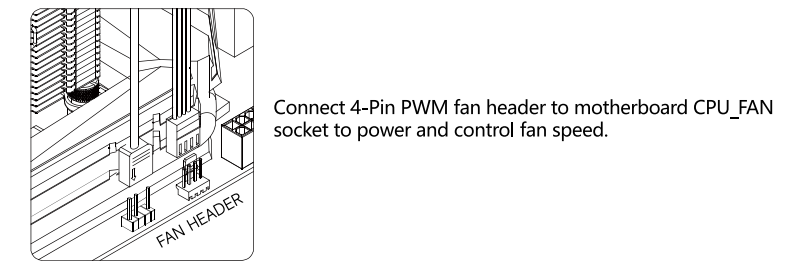


Adjust backplate mounting hole position, install backplate from back side of motherboard, place LGA1700 standoffs from front side, install brackets with screws.

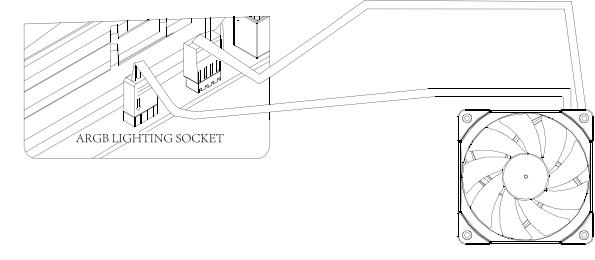


Apply thermal grease on CPU, install the heatsink with a screw driver, and install fans on heatsink with fan clips

Fan Wiring

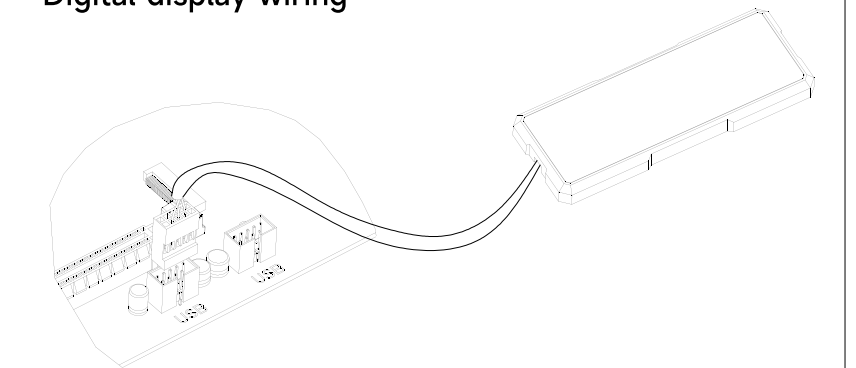


Connect 4-Pin PWM fan header to motherboard CPU_FAN socket to power and control fan speed.



For Fans with Addressable-RGB lighting, connect 3-Pin ARGB lighting header to motherboard 3-Pin +5V ARGB lighting socket to control lighting effect.

Digital display wiring



- 1.Check 9 pin USB cable connection between cooler and motherboard before installing.
- 2.Download software at: <https://www.thermalright.com/support/download/> Unzip setup file and start install by double click setup.
- 3.After install completed, double click shortcut icon on desktop to run software.
- 4.All functions on Digital screen are controlled by software, and software will auto start at OS boot. Please do not exit the program.