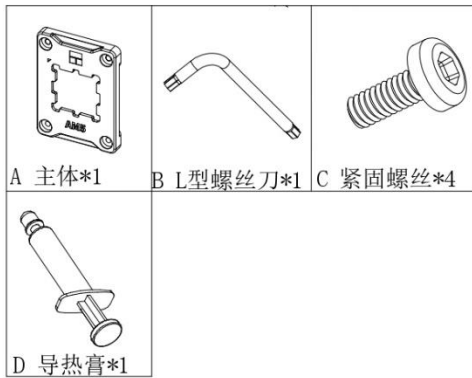


AM5 Secure Frame产品规格及使用说明

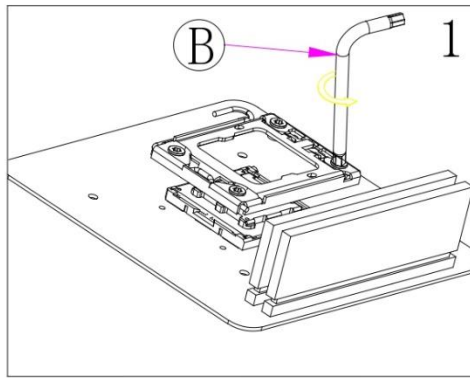
Dimension: 75*56*7.5

Texture: AL6063-T5

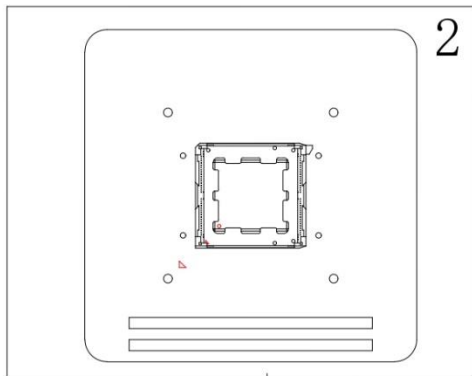
使用说明（按图示）



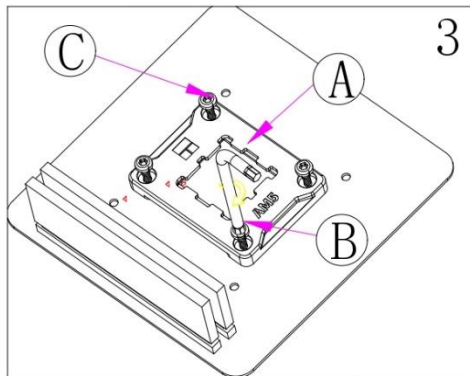
物料清单



1. 用附赠L型螺丝刀拆除原装扣具



2. 将CPU的圆点，按三角方向对齐安装

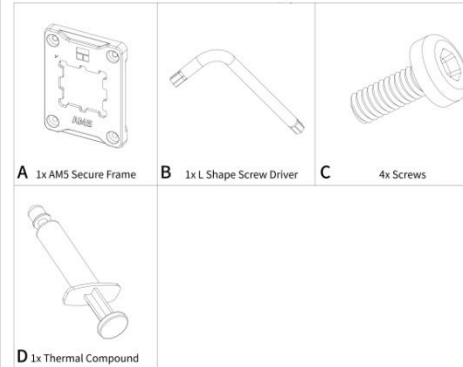


3. 安装ASF主体，用附赠L型螺丝刀将附赠螺丝对称拧紧（注意方向，圆孔和三角对齐）

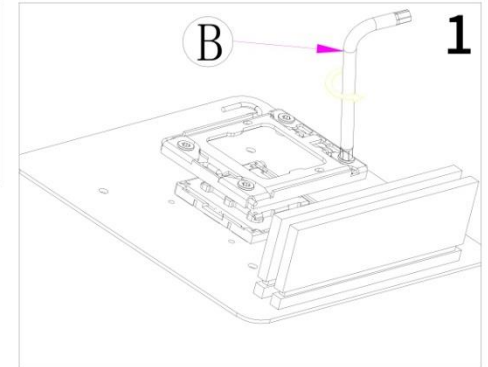
AM5 Secure Frame Instructions

Dimensions : 75*56*7.5

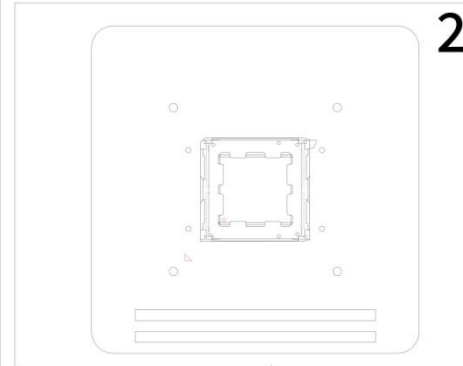
Material : AL6063-T5



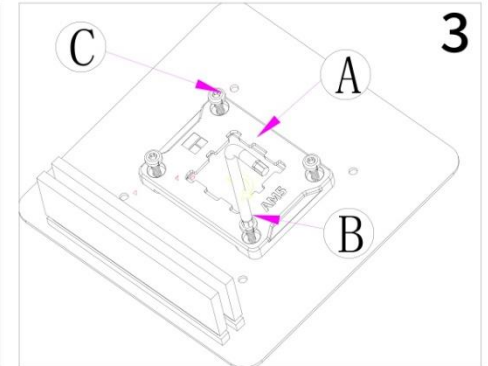
Scope Of Delivery



1. Remove Motherboard ILM with Included Screw Driver(B)



2. Install CPU in motherboard socket as arrow directed



3. Install ASF(A) with included screws(C), tighten screws(C) with screw driver(B). Install direction as motherboard arrow shown.