



CPU LIQUID COOLER

HEX

240 mm / 360 mm

LCAZ-240H-ARGB LCAZ-360H-ARGB

USER MANUAL

2023-11 Version

SPECIFICATIONS

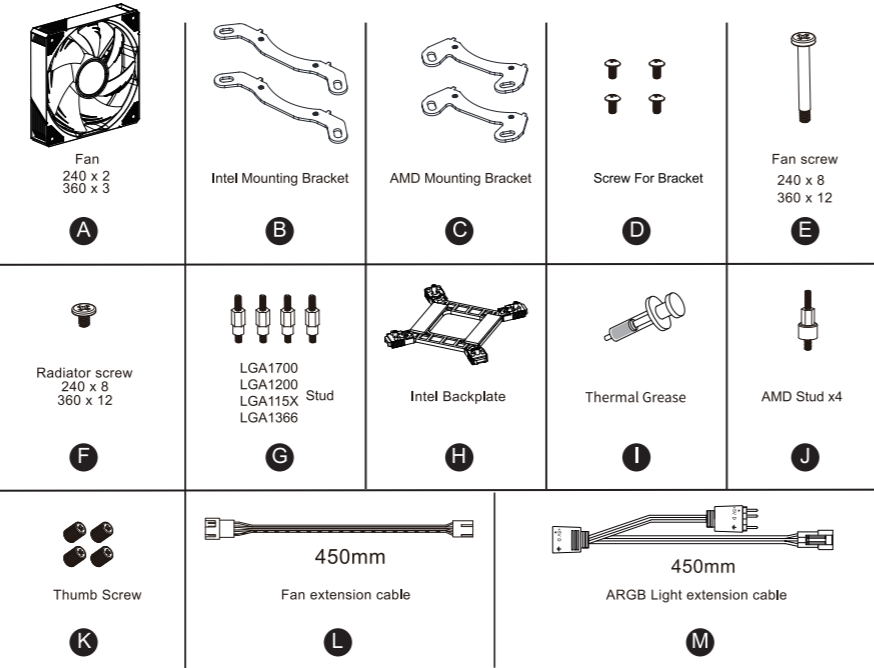
Model Name	Hex 240
Model No.	LCAZ-240H-ARGB
Dimensions	120 x 120 x 25mm
Speed	500±100~2000±10% RPM
Bearing Type	Hydro Bearing
Rating voltage(Fan)	DC 12.0V
Rating current(Fan)	0.28A
Power consumption(Fan)	3.36W
Rating voltage(Lights)	DC 5.0V
Rating current(Lights)	0.36A(Max)
Power consumption(Lights)	1.8W
Airflow	57.5CFM
Air Pressure	1.2mmH2O
Noise	34 dB (A)
Lifespan	20000 hours at 25°C
ARGB Connector	SM2.54-3Pin(Female) to SM2.54-3Pin(Male)
Power Connector	2510-4Pin(Female) to 2510-4Pin(Male)
Dimensions	286x121x35.0mm
Material	Aluminium alloy

Dimensions	71.5x82.3x52.3mm
ARGB Connector	5V ADD-HEADER(Female) to ADD-HEADER(Male)
Rating voltage(Lights)	DC 5.0V
Rating current(Lights)	0.72A(Max)
Power consumption(Lights)	3.6W
Pump Type	Radiator built-in pump
Connector	2510-3Pin
Bearing type	Zirconia ceramic bearings
Rating voltage	DC 12.0V
Rating current	0.4A
Power consumption	4.8W
Speed	4000±10% RPM
Water Pressure	1.3 mH2O
Flow Rate	120 L/h
Motor Type	3-Phases brushless DC motor
Lifespan	50000h
Noise	<25dB(A)
Dimensions	400mm
Material	EPDM+Rayon mesh
Intel Socket	LGA115X/LGA1366/LGA1200/LGA1700/LGA1851
AMD Socket	AM5/AM4/AM3+/AM3/AM2+/AM2/FM2+/FM2/FM1

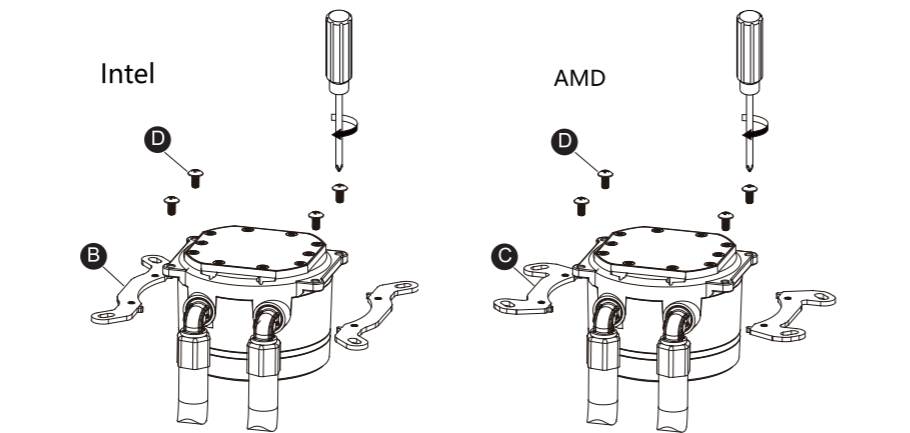
Model Name	Hex 360
Model No.	LCAZ-360H-ARGB
Dimensions	120 x 120 x 25mm
Speed	500±100~2000±10% RPM
Bearing Type	Hydro Bearing
Rating voltage(Fan)	DC 12.0V
Rating current(Fan)	0.28A
Power consumption(Fan)	3.36W
Rating voltage(Lights)	DC 5.0V
Rating current(Lights)	0.36A(Max)
Power consumption(Lights)	1.8W
Airflow	57.5CFM
Air Pressure	1.2mmH2O
Noise	34 dB (A)
Lifespan	20000 hours at 25°C
ARGB Connector	SM2.54-3Pin(Female) to SM2.54-3Pin(Male)
Power Connector	2510-4Pin(Female) to 2510-4Pin(Male)
Dimensions	406x121x35.0mm
Material	Aluminium alloy

Dimensions	71.5x82.3x52.3mm
ARGB Connector	5V ADD-HEADER(Female) to ADD-HEADER(Male)
Rating voltage(Lights)	DC 5.0V
Rating current(Lights)	0.72A(Max)
Power consumption(Lights)	3.6W
Pump Type	Radiator built-in pump
Connector	2510-3Pin
Bearing type	Zirconia ceramic bearings
Rating voltage	DC 12.0V
Rating current	0.4A
Power consumption	4.8W
Speed	4000±10% RPM
Water Pressure	1.3 mH2O
Flow Rate	120 L/h
Motor Type	3-Phases brushless DC motor
Lifespan	50000h
Noise	<25dB(A)
Dimensions	400mm
Material	EPDM+Rayon mesh
Intel Socket	LGA115X/LGA1366/LGA1200/LGA1700/LGA1851
AMD Socket	AM5/AM4/AM3+/AM3/AM2+/AM2/FM2+/FM2/FM1

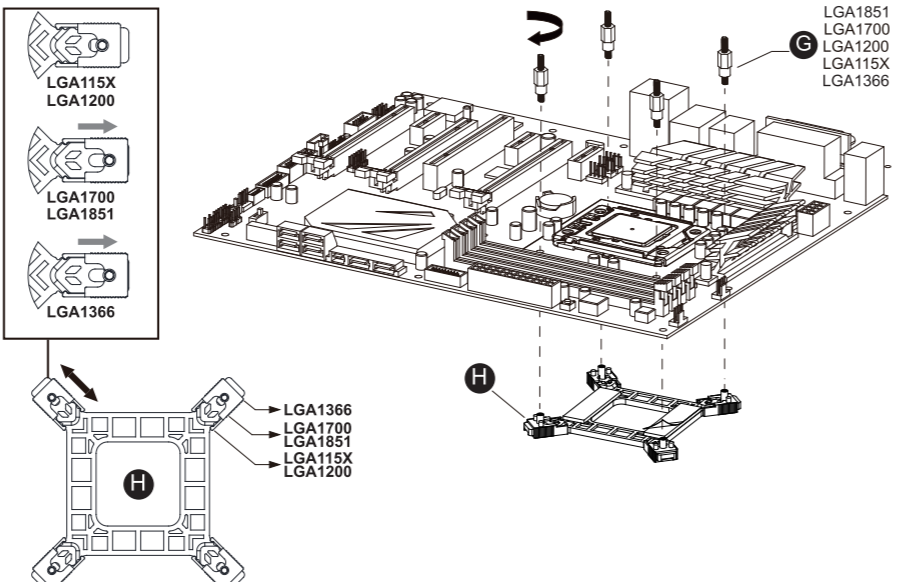
INSTALL CONTENTS



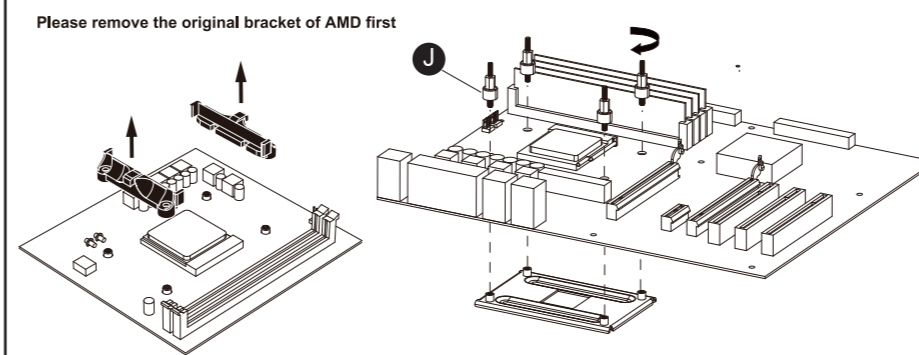
PREPARATION



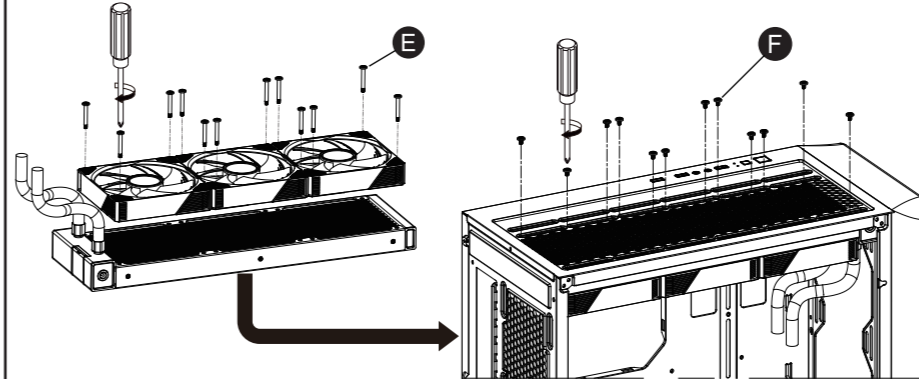
Intel LGA1851 / LGA1700 / 115X / LGA1200 / LGA1366



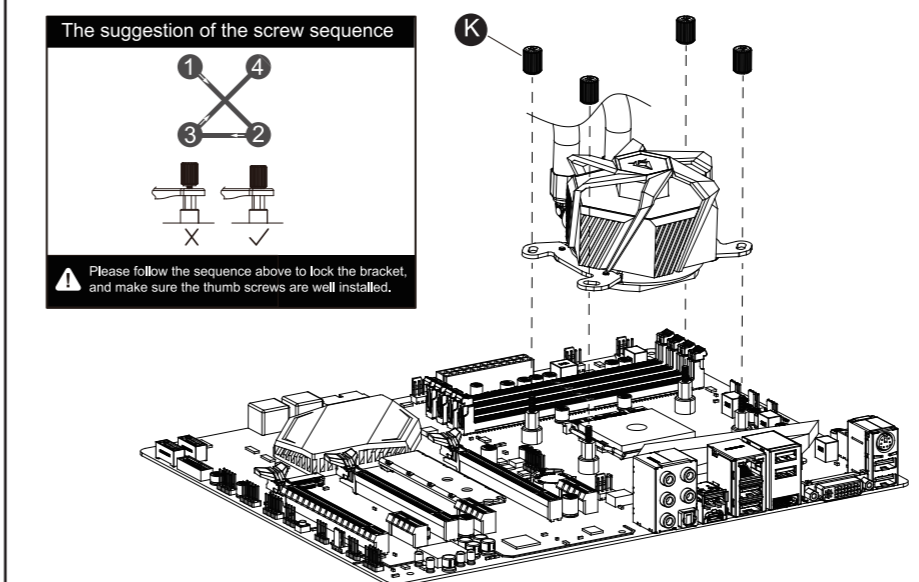
AMD AM5/AM4/AM3+/AM3/AM2+/AM2/FM2+/FM2/FM1



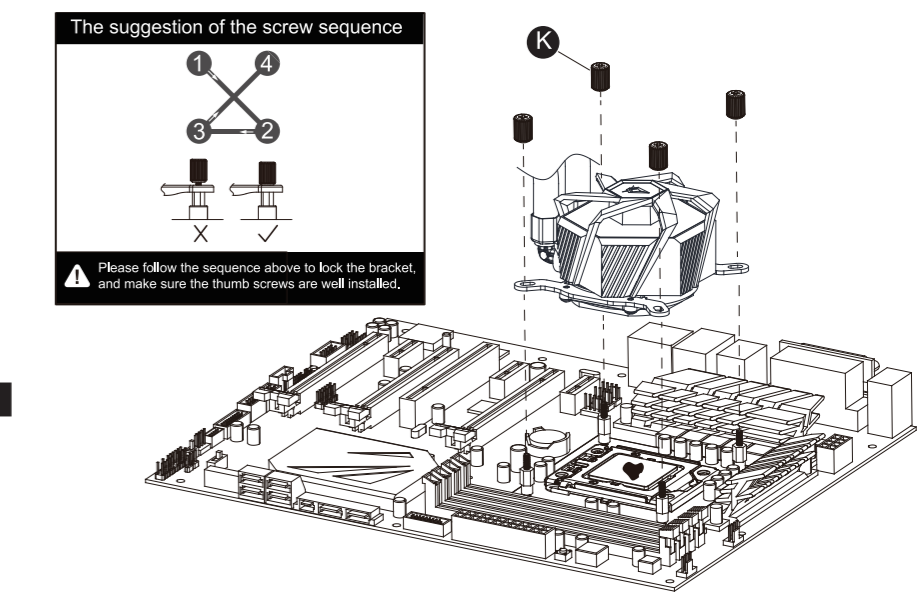
INSTALLATION



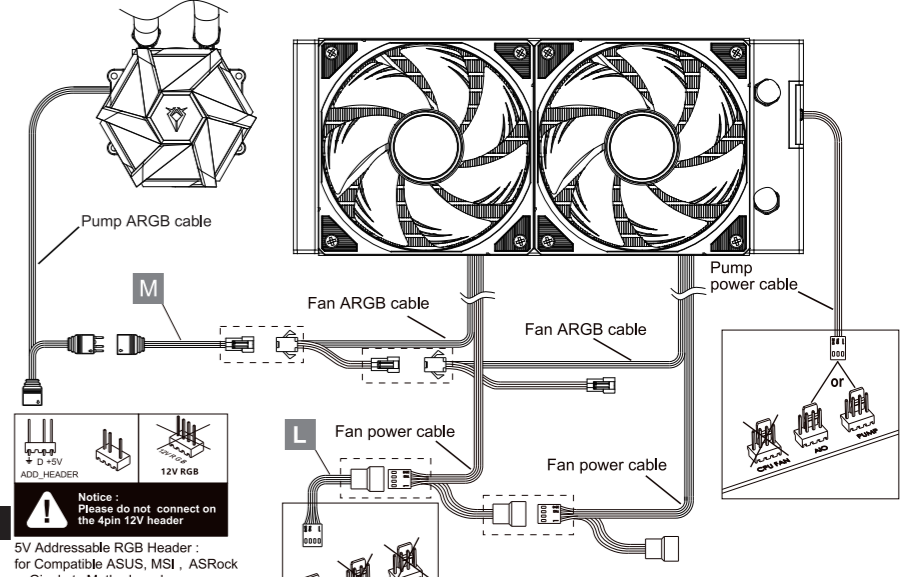
AMD AM5/AM4/AM3+/AM3/AM2+/AM2/FM2+/FM2/FM1



Intel LGA1851 / LGA1700 / 115X / LGA1200 / LGA1366



ARGB Motherboard Connection



Matters needing attention:
 1. Please connect the ARGB port to the ARGB controller.
 2. The power port of water-cooling head must be connected to AIO PUMP port, otherwise it will seriously affect the performance.
 3. If there is not AIO PUMP port, plug into the system fan port and set the port fan mode to PWM mode.

