



INSTALLATION GUIDE

Valkyrie Syn 240/280/360/420/480



SYN

www.my-valkyrie.com

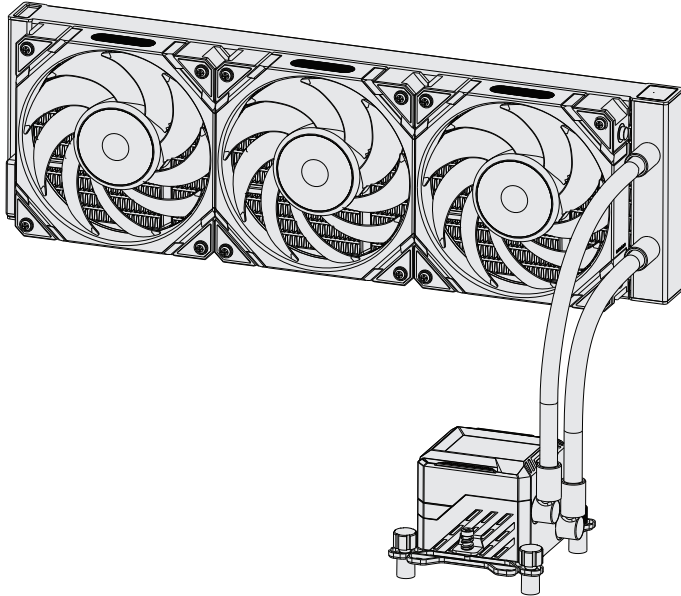
VALK

The logo for 'VALK' is rendered in a light gray, serif font. The word is positioned above a horizontal line that curves downwards at both ends. Below this line, a sword and a quill pen are depicted in a stylized, overlapping manner. The sword's hilt is on the right, and its blade points towards the bottom left. The quill pen is positioned to the right of the sword's hilt, with its nib pointing towards the bottom left. The entire logo is set against a white background, which is framed by a dark gray top and bottom border with a light blue wavy pattern.

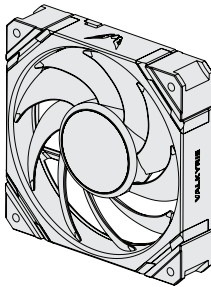


EN AIO Water Cooling Parts

1x AIO water cooling radiator



Fan

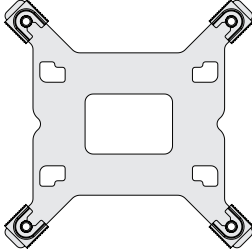
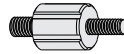


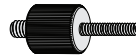
2 x with Valkyrie Syn 240
3 x with Valkyrie Syn 360
4 x with Valkyrie Syn 480

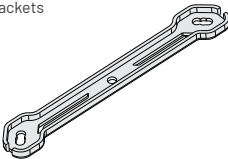
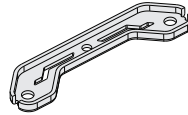
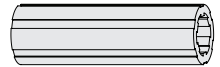
1 x with Valkyrie Syn 140
2 x with Valkyrie Syn 280
3 x with Valkyrie Syn 420

1x Wire Kit & Hub Set



1x Intel Backplate

4x Intel / AMD Bolts

4x Nuts

4x LGA2011 Bolts

1x TF Card

2x Intel Brackets

2x AMD Brackets

1x Nut Socket

Fan screw

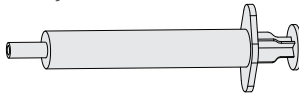

120 x 4 / 140 x 4 / 240 x 8 / 280 x 8
360 x 12 / 420 x 12 / 480 x 16

**Fan screw
(extended)**

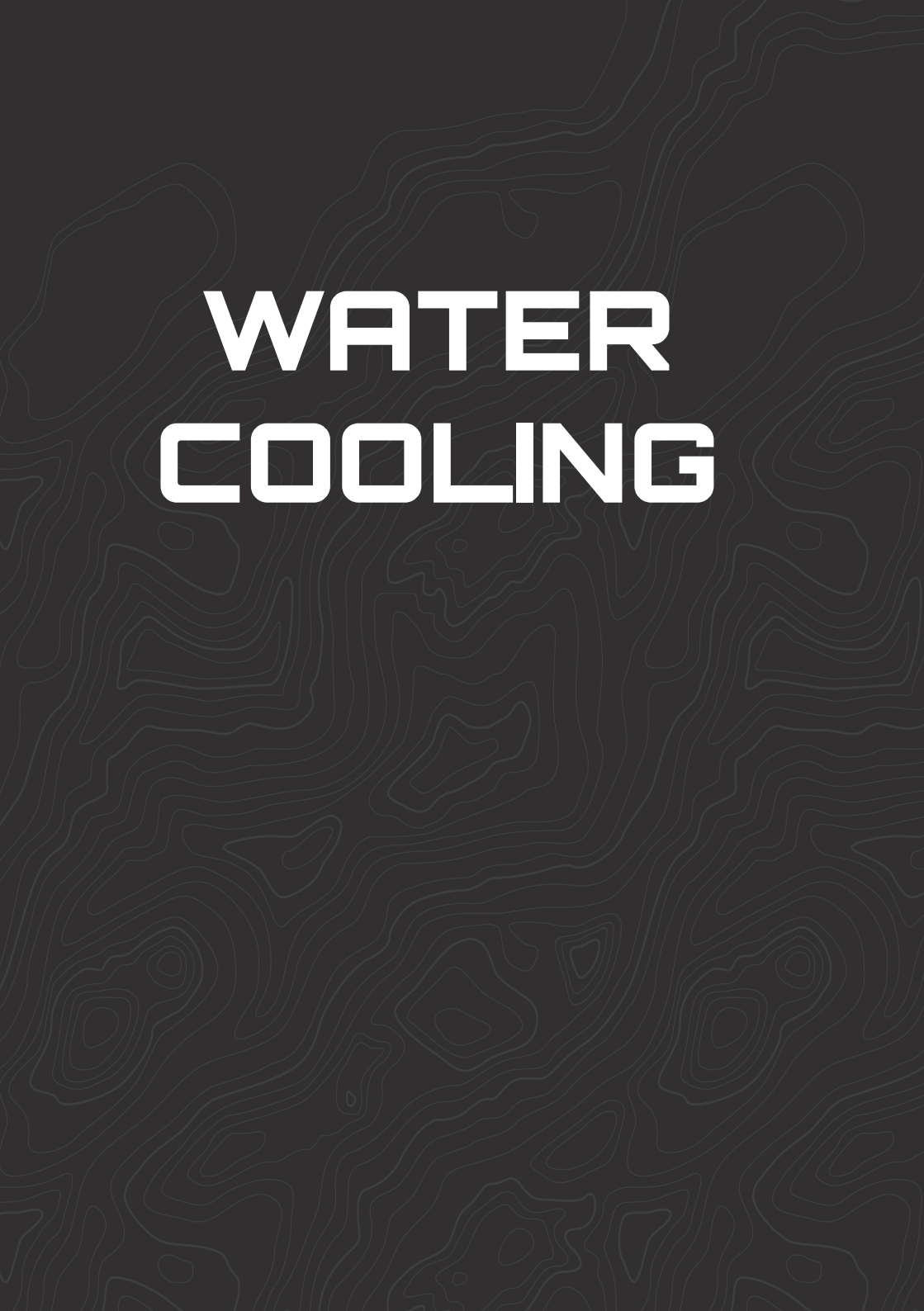

120 x 4 / 140 x 4 / 240 x 8 / 280 x 8
360 x 12 / 420 x 12 / 480 x 16

Radiator screw


120 x 4 / 140 x 4 / 240 x 8 / 280 x 8
360 x 12 / 420 x 12 / 480 x 16

**1x Thermally conductive
silicone grease**


*Please check the received goods to make sure the parts are complete.

The background of the image is a dark gray topographic map with white contour lines. The lines are irregular and wavy, creating a complex, textured pattern. The text is centered in the upper half of the image.

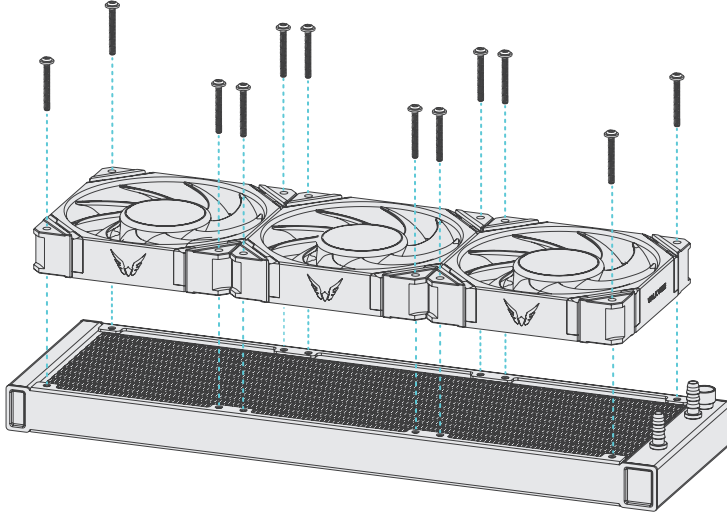
WATER COOLING

Radiator Installation

Step 1: Install fan

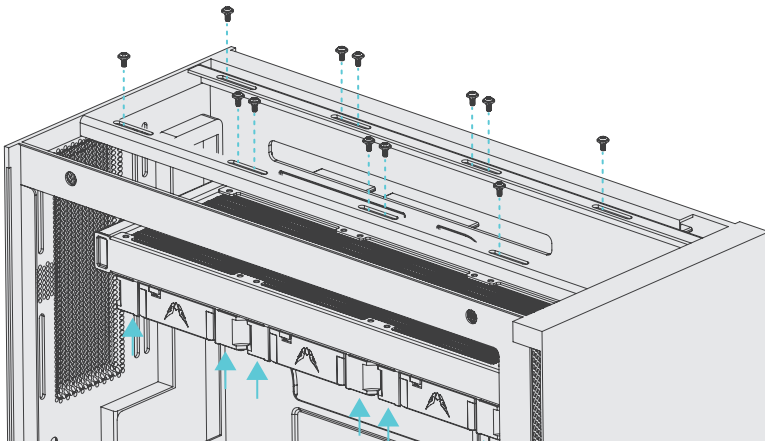
Use the fan screws to secure the fan to the radiator.

*Please use the shorter fan screws. DO NOT use extended screws to secure the cooling fan.



Step 2: Install radiator

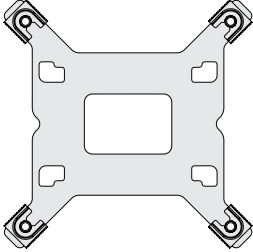
Use the radiator screws to secure the radiator to the case.



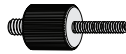
EN Intel LGA1200/1700 Installation

We have marked the parts required for installing the Intel LGA1200/1700 platform for you.

1x Intel Backplate



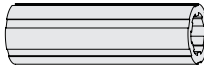
4x Intel / AMD Bolts



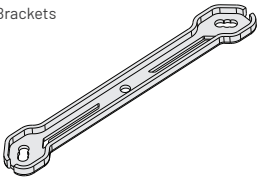
4x Nuts



1x Nut Socket



2x Intel Brackets

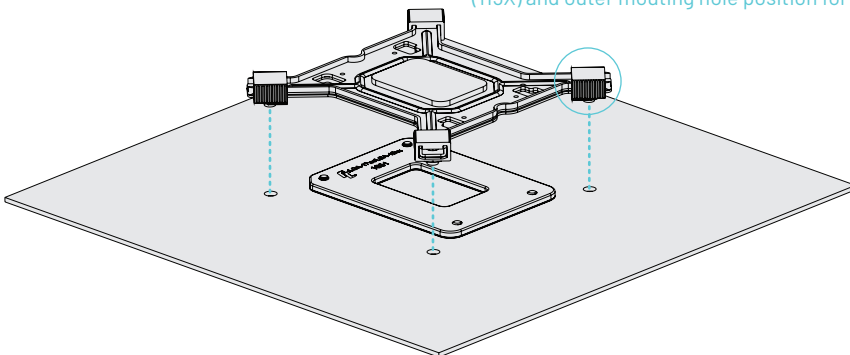


Step 1: Install backplate

1. Align the backplate to the corresponding platform holes.
2. Install the backplate onto the back of the motherboard.

* You may slide it to adjust for alignment with the corresponding platform holes.

* Use the inner mounting hole position for 1200 (115X) and outer mounting hole position for 1700.

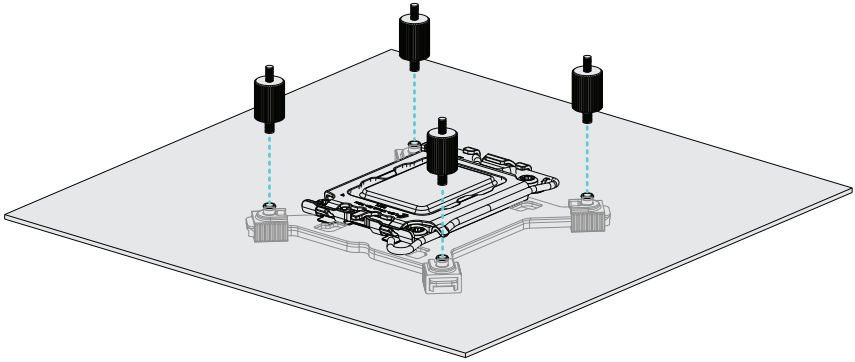


Step 2: Install screws

EN

Install Intel/AMD bolts to the motherboard.

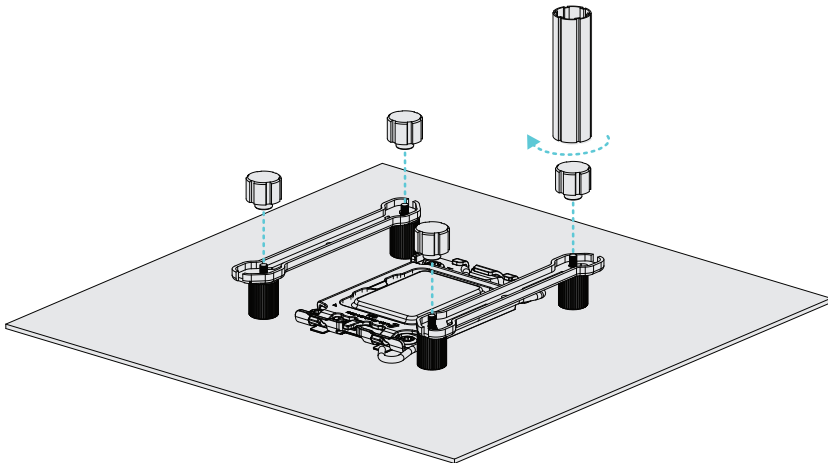
*The larger end of the screw faces down.



Step 3: Install brackets

Put the brackets onto the bolts and tighten them with nuts using a nut socket.

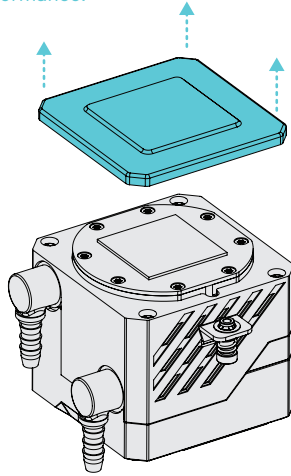
*You can install the water block in a different direction, if you rotate the brackets to 90 degrees.



EN Step 4: Remove the protective cover

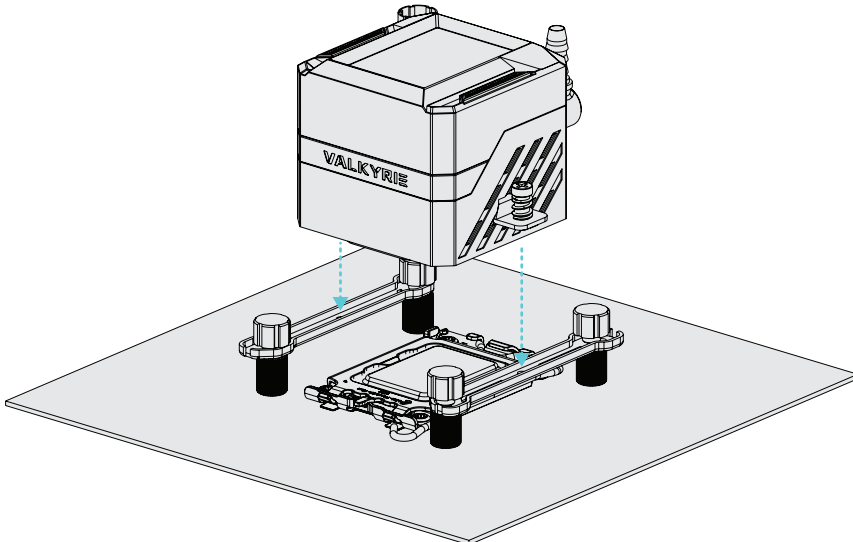
Take off the protective cover from the coldplate.

**It is critical to the cooling performance.*



Step 5: Install water block

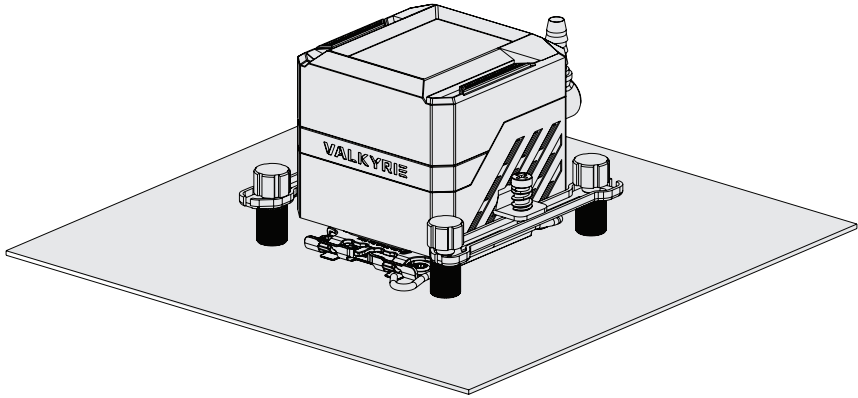
Align the water block to the holes and screw it onto brackets.



Step 6: Complete installation

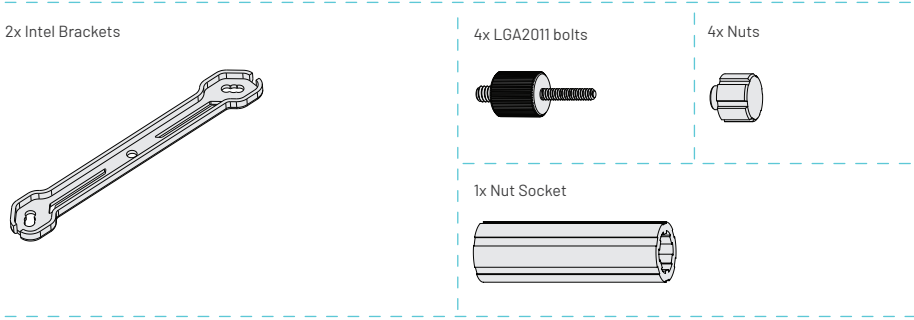
EN

Please refer to the "Wiring" for wiring.



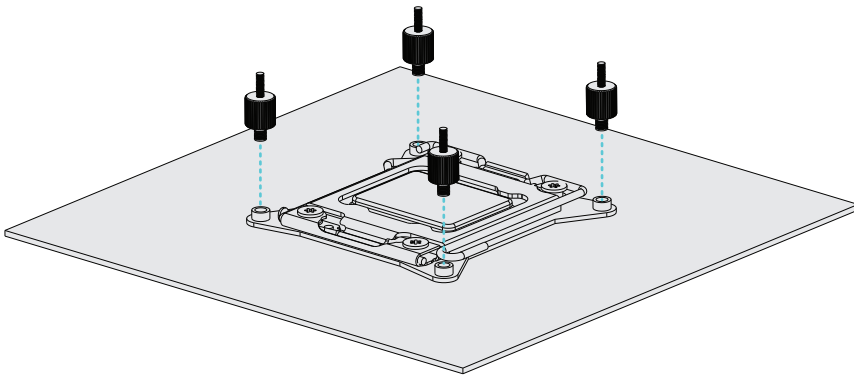
EN Intel LGA2011/2066 Installation

We have marked the parts required for installing the Intel LGA2011/2066 platform for you.



Step 1: Install screws

Install Intel LGA2011 bolts to the motherboard.

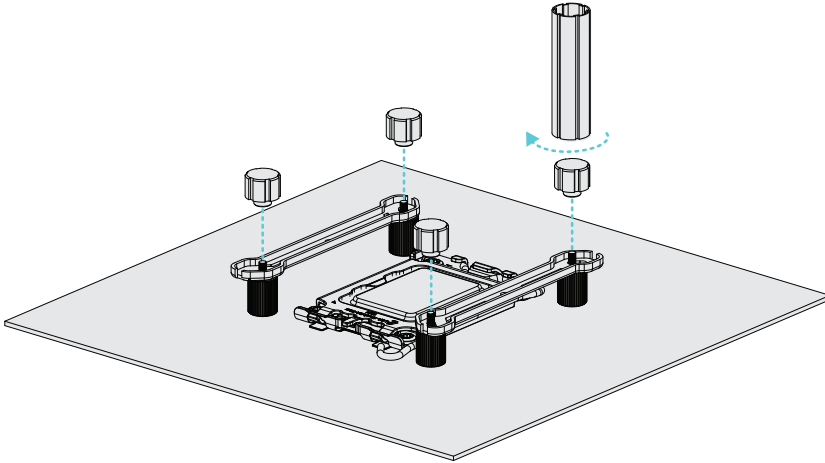


Step 2: Install brackets

EN

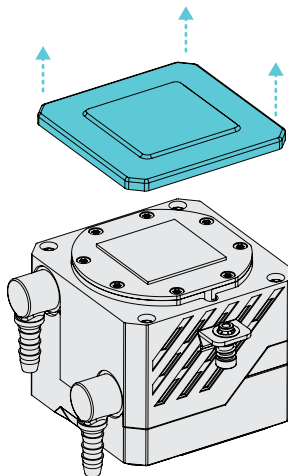
Put the brackets onto the bolts and tighten them with a nuts using nut socket.

*You can install the water block in a different direction, if you rotate the brackets to 90 degrees.



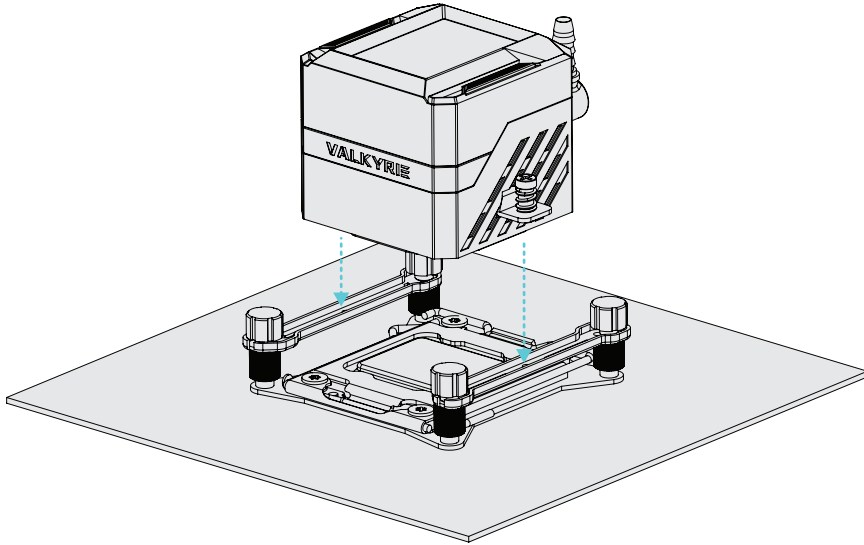
Step 3: Remove the protective cover

Take off the protective cover from the coldplate.



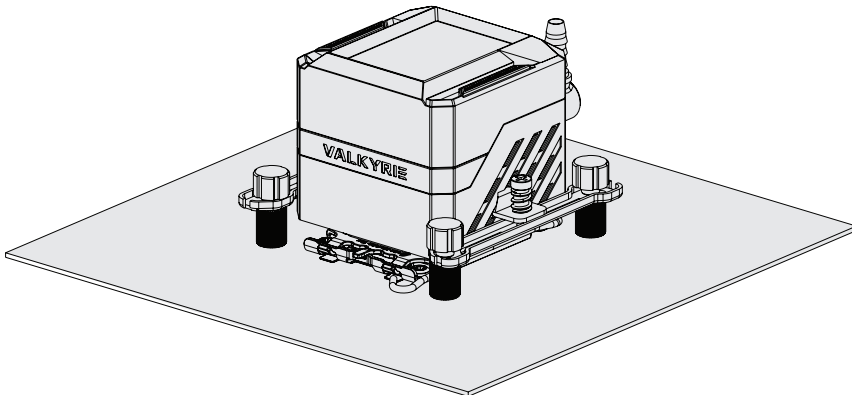
EN Step 4: Install water block

Align the water block to the holes and screw it onto the brackets.



Step 5: Complete installation

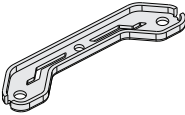
Please refer to the "Wiring" for wiring.



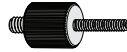
EN AMD AM4/AM5 Installation

We have marked the parts required for installing the AMD AM4/AM5 platform for you.

2x AMD brackets



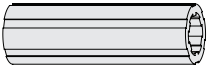
4x LGA2011 bolts



4x Nuts

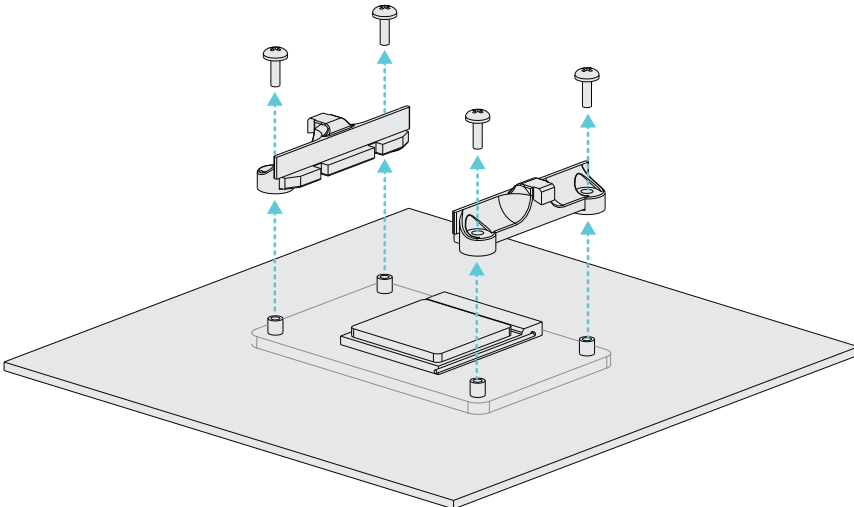


1x Nut Socket



Step 1: Prepare the motherboard

Screw out the 4 bolts. Remove the original bracket on the motherboard. Keep the original backplate.

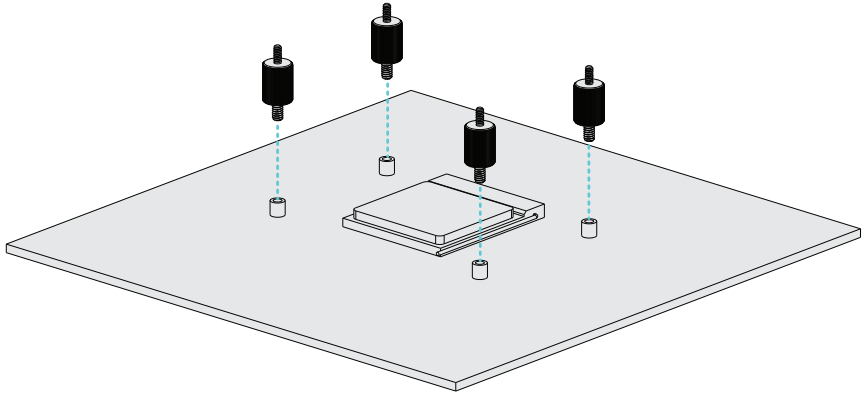


Step 2: Install screws

EN

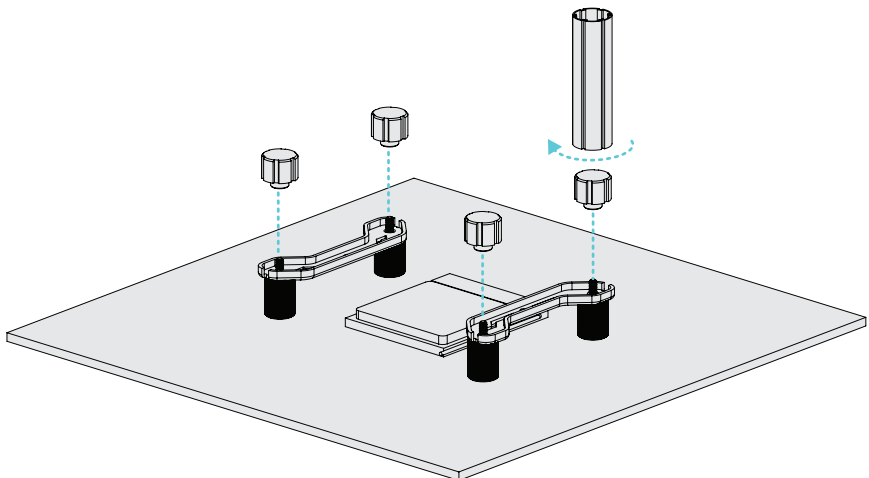
Install Intel/AMD bolts to the motherboard.

*The larger end of the screw faces down.



Step 3: Install brackets

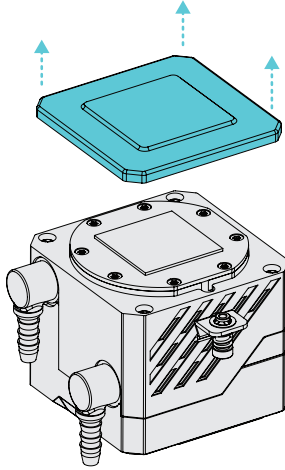
Put the brackets onto the bolts and tighten them with nuts using a nut socket.



EN Step 4: Removing protective cover

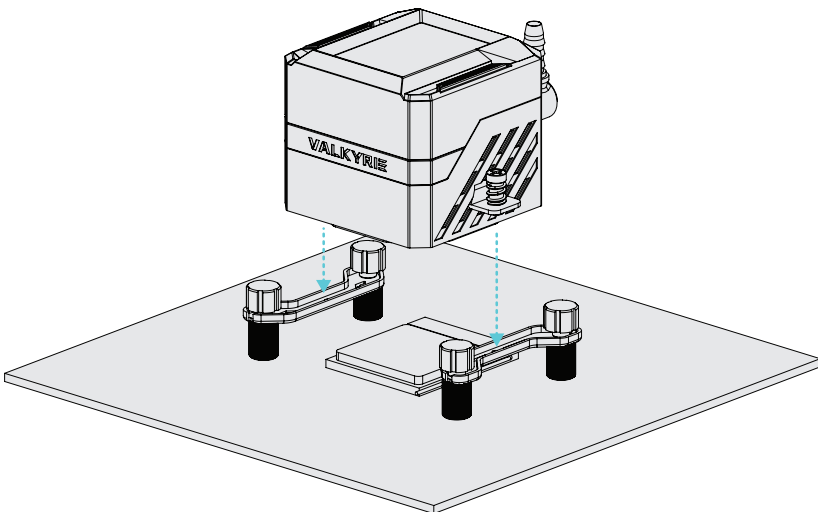
Remove the protective cover from the coldplate.

**It is critical to the cooling performance.*



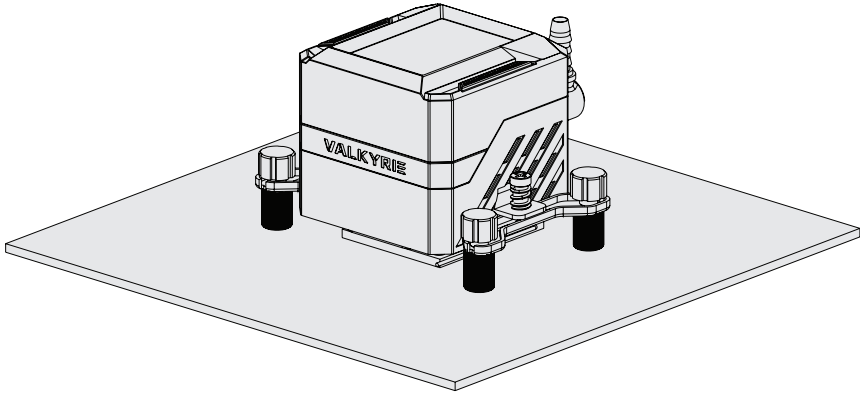
Step 5: Install water block

Align the water block to the holes and screw it onto brackets.



Step 6: Complete installation

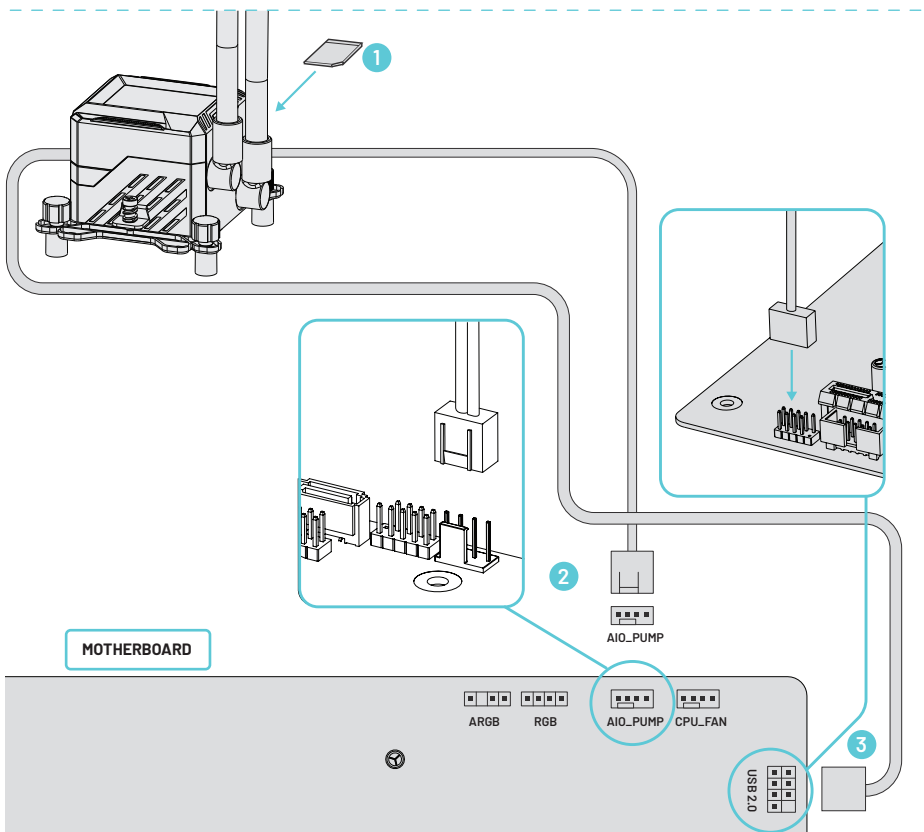
Please refer to the “Wiring” for wiring.



WIRING

Connecting Water Block to the Motherboard

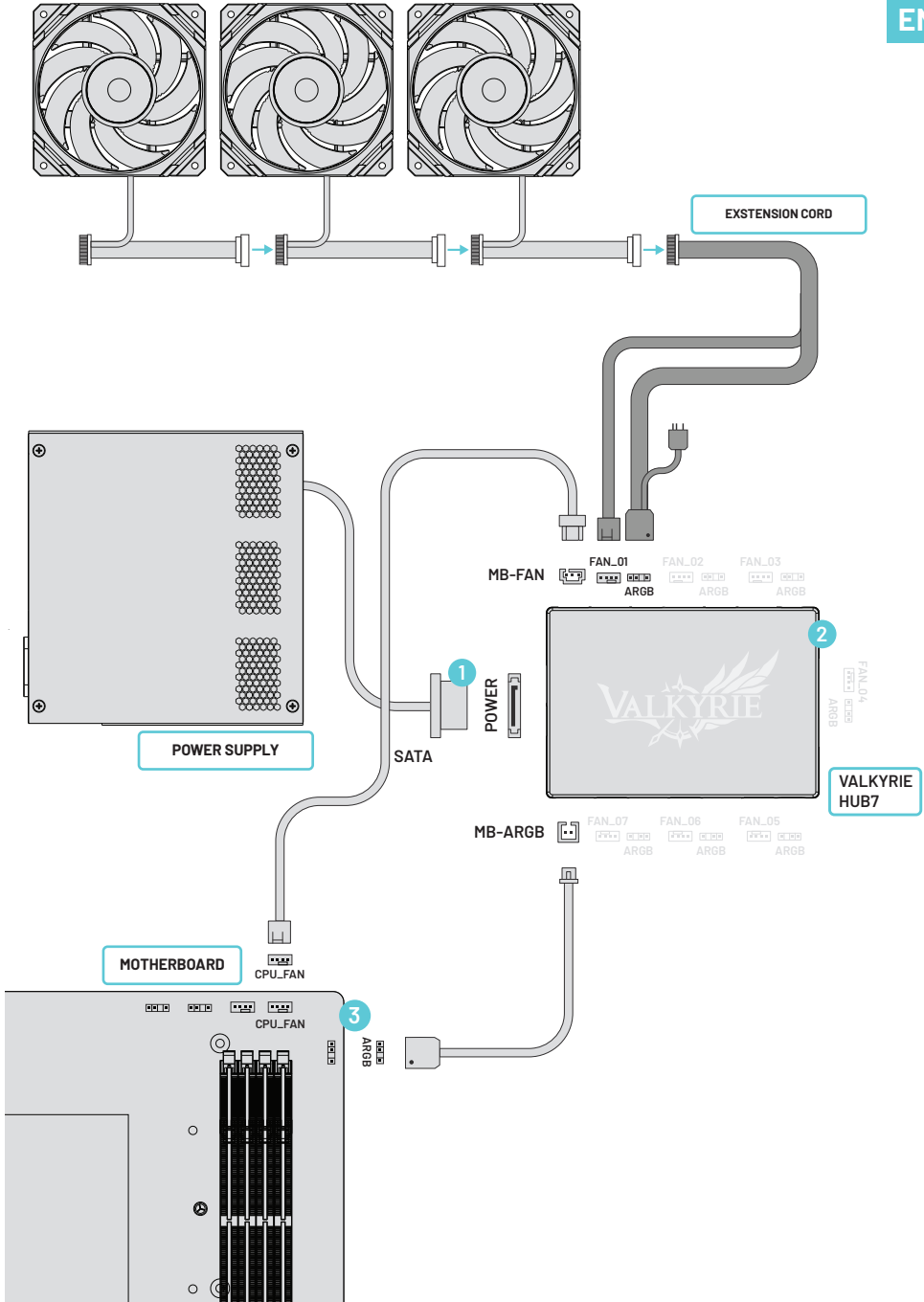
1. Insert TF Card.
2. Connect the water pump 4PIN connector into the AIO_PUMP header on the motherboard.
3. Connect water block LCD to the USB connector on the motherboard.



EN Valkyrie HUB Wiring

1. Plug the SATA power supply connector into the Valkyrie HUB POWER port.
2. Plug the 4PIN fan connectors and ARGB connectors into the Valkyrie HUB, respectively.*
3. Connect Valkyrie HUB control cables to MB_FAN and MB_ARGB ports respectively and plug the other ends into the CPU_FAN and AGRB headers on the motherboard.

*The FAN_01(red) on the VK HUB7 must be plugged in with a 4PIN fan connector.



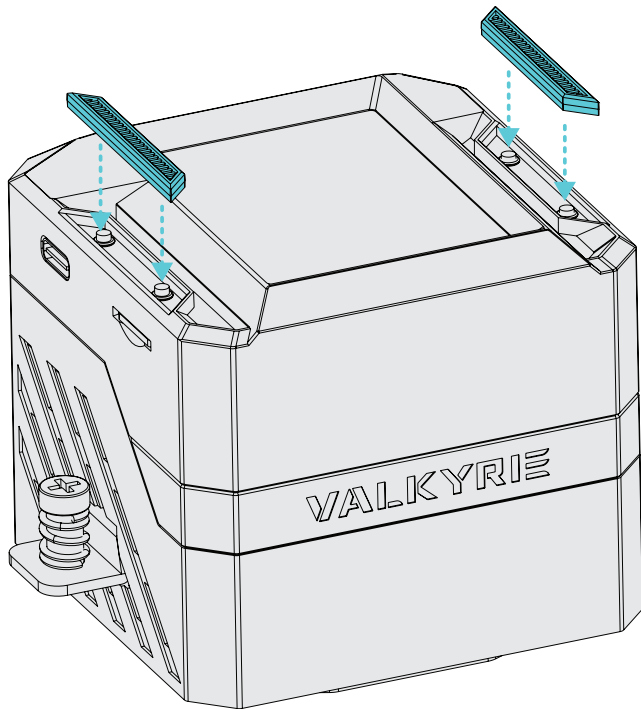
The background of the image is a dark gray topographic map with white contour lines. The lines are irregular and wavy, creating a complex, maze-like pattern. The word "TIPS" is centered in the upper half of the image.

TIPS

Method of replacing of water block trim strip

The trim strip can be removed and replaced with your favorite style.

*The trim strip of the Valkyrie Syn water block is also magnetic and interchangeable.





@my.valkyrie



@myvalkyrieplays



My Valkyrie



@myvalkyrield



@myvalkyrie

HW Gaming Solution Ltd

28 Oktovriou 261, View point Tower,
3035 Limassol, Cyprus

info@my-valkyrie.com

www.my-valkyrie.com