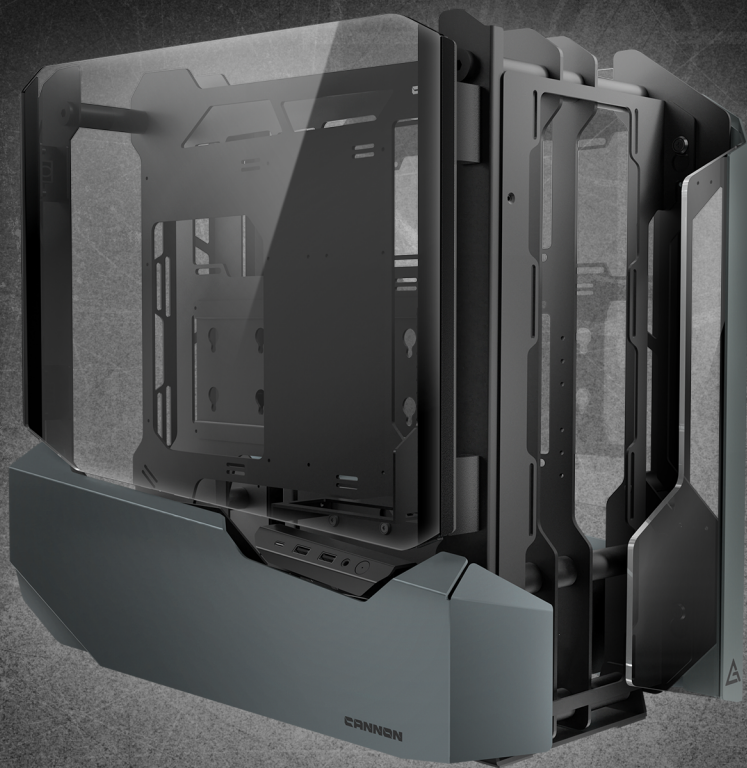


 Antec.



# CANNON

Build Your Universe of PC System at Will

**INFORMATION GUIDE**



[www.antec.com/support](http://www.antec.com/support)

US & Canada

[nasupport@antec.com](mailto:nasupport@antec.com)

Europe

[+31-\(0\)-10-462-2060](tel:+31-10-462-2060)  
[eusupport@antec.com](mailto:eusupport@antec.com)

Asia

[+886-\(0\)800-060-696](tel:+886-0800-060-696)  
[apsupport@antec.com](mailto:apsupport@antec.com)

Authorized representative in Europe: Antec Europe BV, Corkstraat 46,  
3047 AC Rotterdam / The Netherlands

[www.Antec.com](http://www.Antec.com)

[f](#) Antec Inc. [@](#) antec [v](#) Antec [t](#) antec [Antec\\_Official](#)





Antec, Inc. is the global leader in high-performance computer components and accessories for the gaming, PC upgrade and Do-It-Yourself markets.

Founded in 1986, Antec is recognized as a pioneer in the industry and has maintained its position as a worldwide market leader and international provider of quiet, efficient and innovative products.

Antec has also achieved great success in the distribution channel, meeting the demands of quality-conscious system builders, VARs and integrators.

---

## P.2 CONTENTS AND ACCESSORIES

Inhalt Und Zubehör | Contenu Et Accessoires | Contenuto E Accessori | Contenido Y Accesorios | 商品与配件 | 内容物與配件 | 내용물 및 부속품 | 内容と付属品

---

## P.4 PRODUCT INTRODUCTION

Produktübersicht | Introduction Au Produit | Introduzione Del Prodotto | Presentación Del Producto | 產品介紹 | 产品介绍 | 제품 소개 | 商品紹介

---

## P.12 INSTALLATION GUIDE

Installationsanleitung | Guide D'installation | Guida All'installazione | Guía De Instalación | 安裝指南 | 安裝指南 | 설치 안내 | 設置のガイド



# CONTENTS AND ACCESSORIES

## 1 PACKAGE CONTENTS

Packungsinhalt | Contenu de l'Emballage | Contenuto della confezione | Contenido del paquete | 内容物 | 产品 | 포장 내용물 | パッケージの内容

### [A] CASE

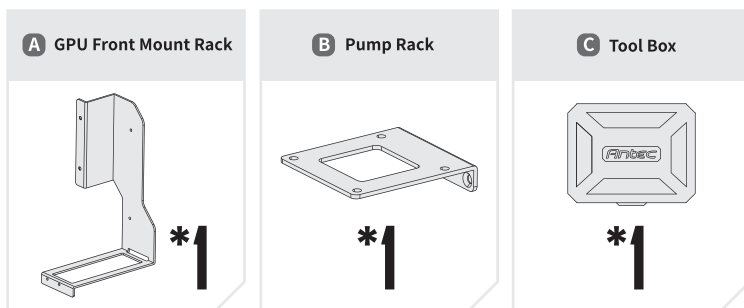
- Case
- PCI-E Riser Cable 4.0
- GPU Left Side Mount Rack
- Front Radiator Bracket
- Detachable Drive Bay
- 3.5" HDD (Hard Disk Drive) Bracket
- 2.5" SSD (Solid-State Drive) Bracket

### [B] ACCESSORY BOX

- User Manual
- GPU Front Mount Rack
- Pump Rack
- Tool Box

## 2 ACCESSORIES

Zubehör | Accessoires | Accessori | Accesorios | 配件 | 配件 | 부속품 | 付属品



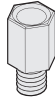
## Toolbox Contents

### D Motherboard Screws/ 2.5" SSD Screws



**\*20**

### E Motherboard Fixings



**\*3**

### F Power Supply Screws



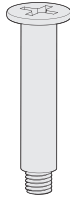
**\*4**

### G VGA Screws/ 3.5" HDD Screws



**\*6**

### H Radiator Screws



**\*12**

### I Hex Key



**\*1**

### J Cable Tie

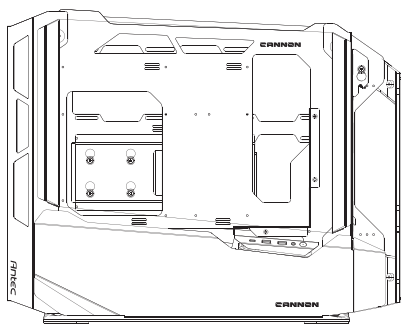
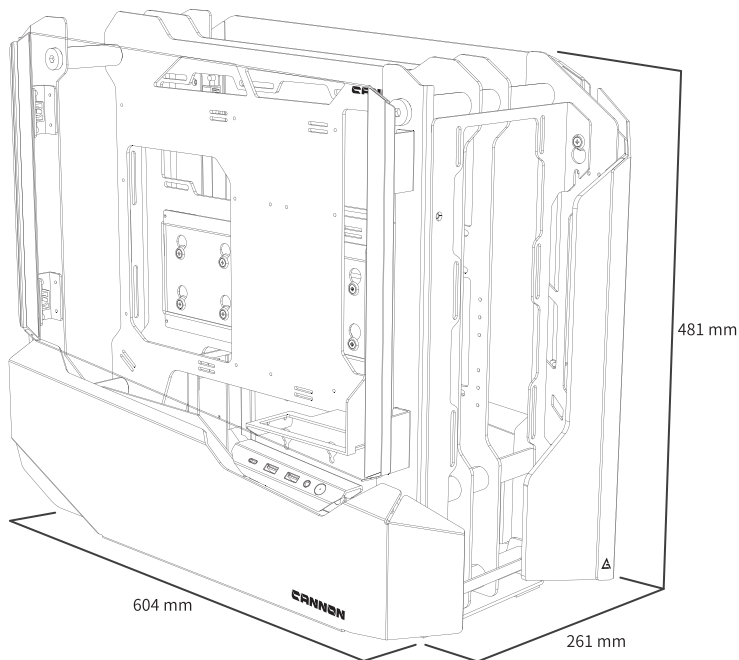


**\*3**

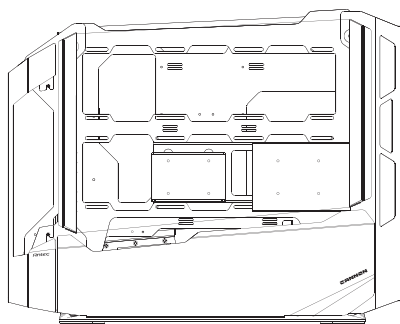
# PRODUCT INTRODUCTION

## 1 CASE OVERVIEW

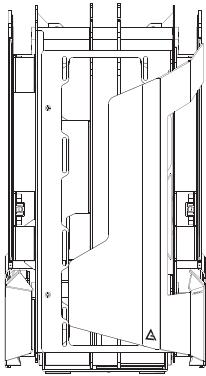
Gehäuseübersicht | Vue d'Ensemble du Boitier | Vista generale del contenitore | Información de la caja | 机箱概述 | 产品特点 | 케이스 개요 | 케이스概要



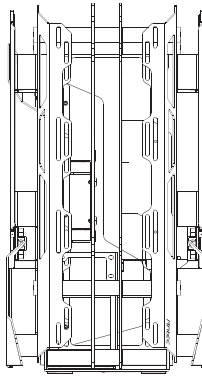
Left Side



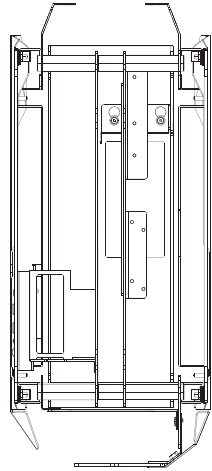
Right Side



Front



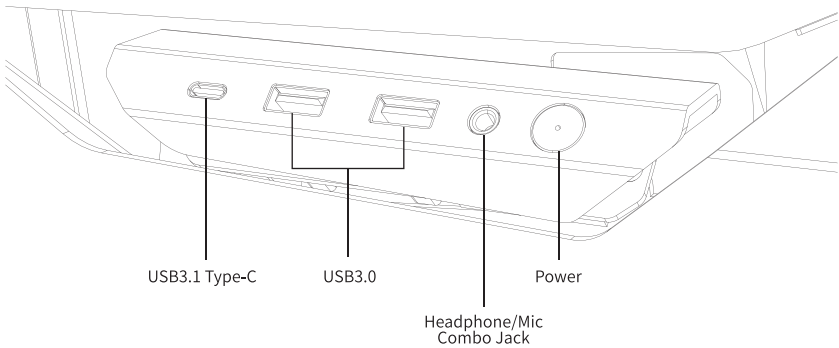
Rear



Top

## 2 CONNECTORS AND BUTTONS

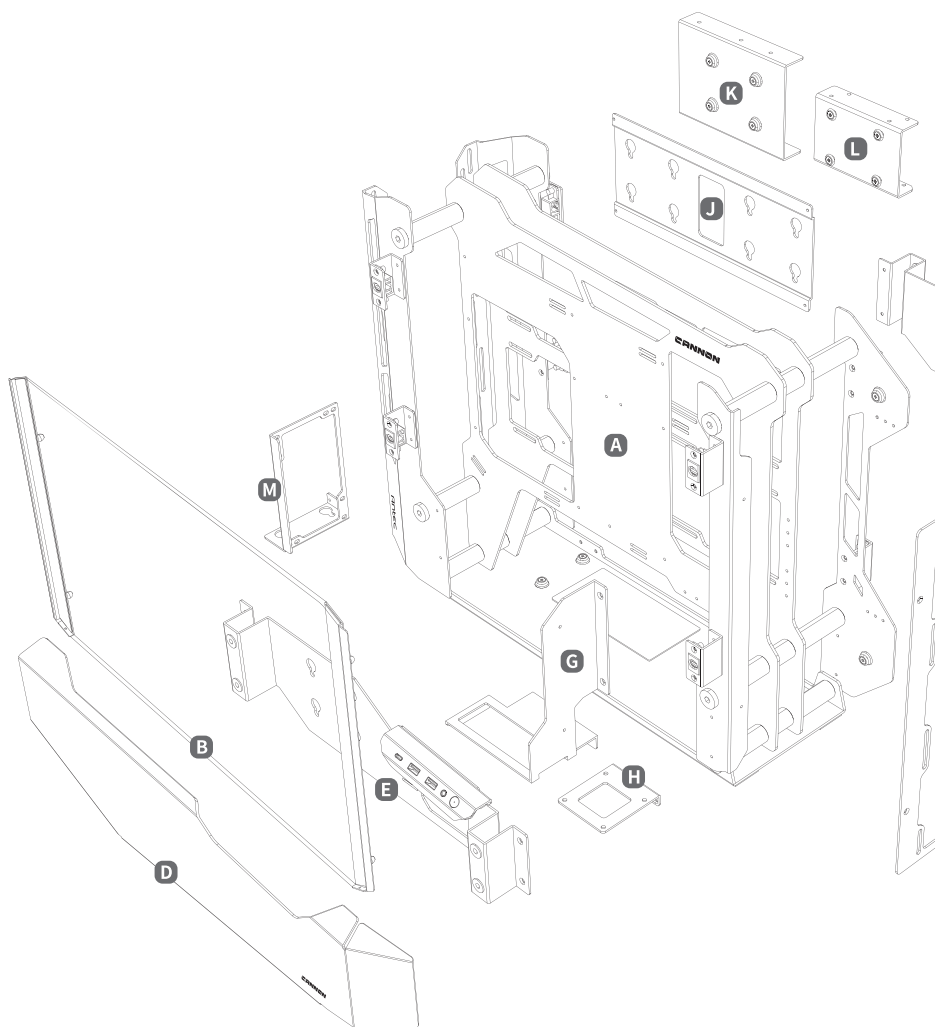
Anschlüsse und Tasten | Connecteurs et Boutons | Connettori e pulsanti | Conectores y botones | I/O接口 | I/O端口 | 커넥터 및 버튼 | 콘넥타와 버튼

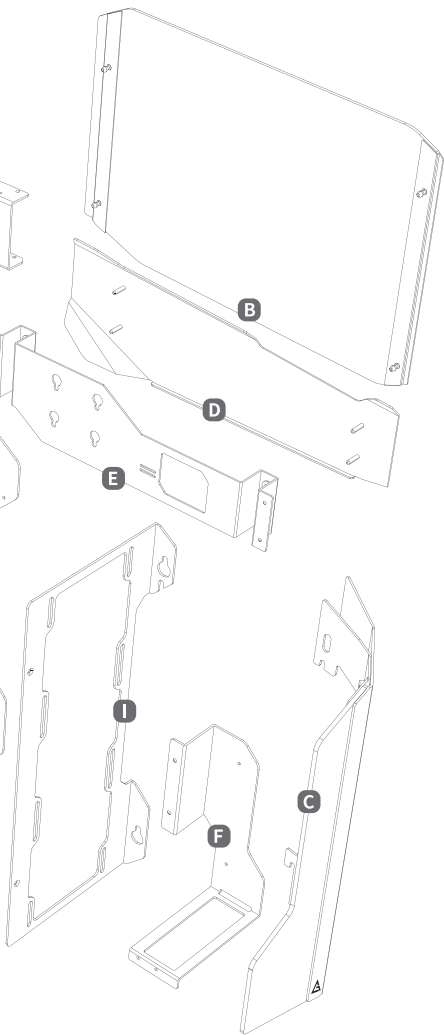


# PRODUCT INTRODUCTION

## 3 PARTS

Komponenten | Pièces | Parti | Partes | 機箱結構 | 机箱结构 | 早番 | 部品





## A Case Body

Gehäuse | Corps du Boîtier | Corpo contenitore | Cuerpo de la caja | 機箱結構 | 机箱  
| 케이스 본체 | 케이스 본체

## B Side Tempered Glass Panel

Seitliche Platte aus gehärtetem Glas | Panneau Latéral en Verre Trempé | Pannello laterale in vetro temperato | Panel lateral de cristal templado | 側面钢化玻璃面板 | 钢化玻璃側面板 | 측면 강화 유리 패널 | 사이드強化글라스패널

## C Hanging Front Panel

Vordere Gehäuseabdeckung | Support face avant | Pannello frontale sospeso | Panel frontal colgado | 吊掛式前面板 | 吊掛式前面板 | هنگی형 전면 패널 | 掛け式のフロントパネル

## D PSU Outer Cover

Vordere Netztafelabdeckung | Cache externe alimentation | Copertura esterna dell'alimentatore | Cubierta exterior de CPU | 電源箱外層護罩 | 電源箱外層護罩 | 파워 외부 커버 | 外側の電源カバー

## E PSU Inner Cover

Innere Netztafelabdeckung | Cache interne alimentation | Copertura interna dell'alimentatore | Cubierta interna de CPU | 電源箱內層護罩 | 電源箱內層護罩 | 파워 내부 커버 | 內側の電源カバー

## F GPU Front Mount Rack

Vordere GPU Halterung | Rack montage frontal carte graphique | Rack per montaggio frontale GPU | Rack de montage frontal de GPU | 前方GPU支架 | 前方GPU支架 | 전면 GPU 거치대 | フロントのGPUホルダー

## G GPU Left Mount Rack

Linke GPU Halterung | Rack montage côté gauche carte graphique | Rack di montaggio sul lato sinistro della GPU | Rack de montage del lado izquierdo de GPU | 左側GPU支架 | 左側GPU支架 | 좌측 GPU 거치대 | 左側のGPUホルダー

## H Pump Rack

Pumpen Halterung | Rack pour pompe | Rack pompa | Rack de bomba | 水泵支架 | 水泵支架 | 펌프 랙 | 펌프홀더

## I Front Radiator Bracket

Vordere Radiator Halterung | Support frontal radiateur | Staffa radiatore anteriore | Soporte frontal del radiador | 前方散熱器托架 | 前方散熱器托架 | 전면 라디에이터 브래킷 | フロントのラジエーター固定基盤

## J Detachable Drive Bay

Festplattenhalterung | Baie fixation disques | Alloggiamento per unità sospese | Bahía de disco colgante | 硬碟籠吊掛托架 | 硬碟籠吊掛托架 | هنگی형 하드디스크 홀드 | 掛け式のドライブベイ

## K 3.5" HDD (Hard Disk Drive) Bracket

Halterung für 3,5" HDD (Festplatte) | Support pour Disque Dur 3.5" | Staffa di montaggio del disco rigido HDD 3.5" | Soporte para disco duro HDD de 3.5" | 3.5吋 HDD硬碟架 | 3.5吋HDD硬盤支架 | 3.5" HDD 하드 디스크 브래킷 | 3.5인치HDD하드드이스크브라켓

## L 2.5" SSD (Solid-State Drive) Bracket

Halterung für 2,5" SSD | Support pour Disque Dur/SSD 2.5" | Staffa di montaggio del disco rigido SSD 2.5" | Soporte para disco duro SSD de 2,5" | 2.5吋SSD硬碟架 | 2.5吋SSD硬盤支架 | 2.5" SSD 하드 디스크 브래킷 | 2.5인치SSD하드디스크브라켓

## M Power Supply Bracket

Halterung für Netzteil | Support pour le Bloc d'Alimentation | Staffa di montaggio dell'alimentatore di rete | Soporte para fuente de alimentación | 電源供應器支架 | 電源支架 | 파워 시플라이 브래킷 | 電源브라켓

# PRODUCT INTRODUCTION

## 4 CASE SPECIFICATIONS

Gehäusespezifikationen | Caractéristiques du Boitier | Specifiche del contenitore | Especificaciones de la caja | 机箱规格 | 机箱规格 | 케이스 사양 | 케이스仕様

### General

Form Factor	Full Tower
Material(s)	Aluminum + Plastic + Steel
Side Panel Type	Tempered Glass
Access & Controls	Power, 2 x USB3.0, 1 x USB3.1 Type-C, Headphone/Mic Combo Jack
Dimensions	604 x 261 x 481 mm (DxWxH)
PCI-E Riser Cable 4.0	Included

### Compatibility & Clearances

Mainboard Support	E-ATX, ATX, Micro-ATX, Mini-ITX
Max PSU Length	≤ 270mm
Max CPU Cooler Height	≤ 85mm
Max GPU Length	≤ 385mm
Max Radiator (Front)	120mm / 240mm / 360mm
Max Radiator (Side)	120mm / 240mm / 360mm (Support up to 2 x Radiators at the same time)
Max Radiator (Rear)	120mm / 140mm / 240mm / 280mm / 360mm / 420mm

### Expansion Slots & Drive Bays

3.5"	1
2.5"	2

### Cooling

Front	3 x 120mm
Side	6 x 120mm
Rear	3 x 120mm / 3 x 140mm

## 5 FEATURES

Eigenschaften | Fonctionnalités | Caratteristiche | Características | 机箱特点 | 机箱特点 | 특징 | 特徴

### Antec CANNON – Build Your Universe of PC System at Will

The Antec Cannon is a full-tower E-ATX open-air gaming case that allows you to design the layout of your PC at will.

With the dual GPU mount options, highly flexible space for high-end PC components, dual sets of individual custom water-cooling systems, and the support of three radiators simultaneously, the Antec Cannon allows advanced users to show off the universe of their dream PC systems.

---

- **Highly Flexible Layout for PC Components**

4 Potential storage positions & 2.5" SSD / 3.5" HDD mutual drive racks.

- **Neat Cable Management**

The space in the center and bottom of the case is well-designed for neat cable management.

- **High-end CNC Cutting Aluminum Alloy**

The structure of Cannon is made of aluminum alloy and carefully crafted with high-end CNC cutting.

- **Dual Sets of Individual Custom Water-cooling Systems**

Two Individual custom water-cooling systems can be installed simultaneously to provide ultra-cooling performance.

Supports up to 3 x 360 mm radiators simultaneously, 4 x 360 mm radiators for advanced users.

The rear can support up to 420 mm radiator.



# PRODUCT INTRODUCTION

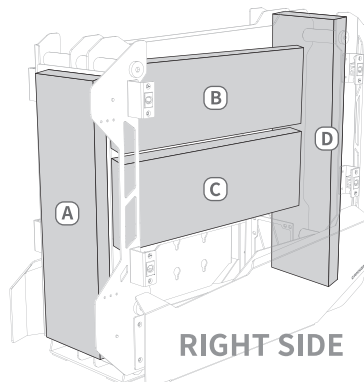
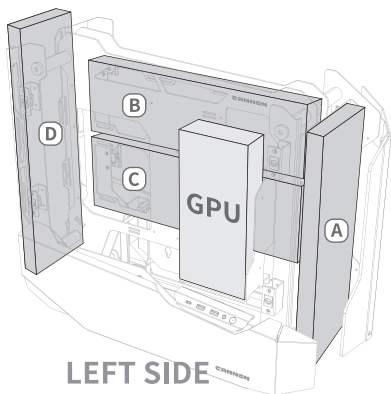
## 5 FEATURES

Eigenschaften | Fonctionnalités | Caratteristiche | Características | 机箱特点 | 机箱特点 | 특징 | 特徴

### • Dual GPU Mount Options

The diversified configurations of installation provide many options for high-end PC-DIY users to enjoy their creativity. There are even two possible GPU mounts.

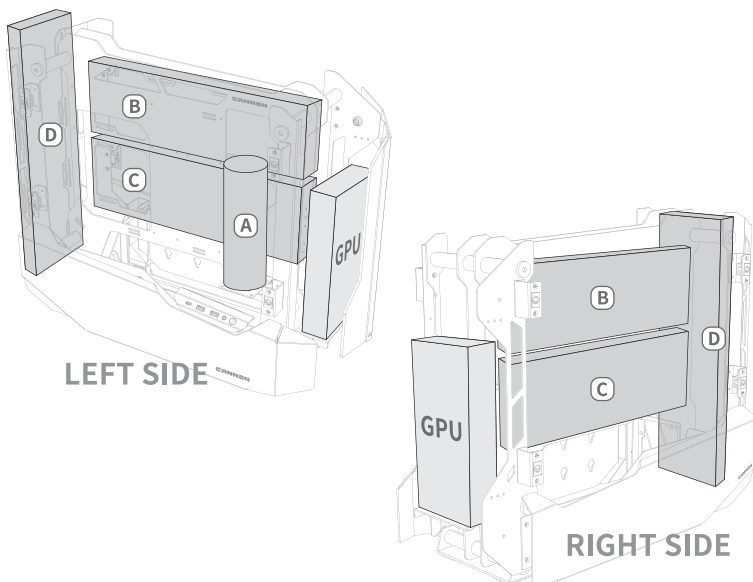
### Graphics card at the left side



### Installation Options:

- (A) 360 mm Liquid Cooler / Waterway Board / 120 mm Fan x 3
- (B) 360 mm Liquid Cooler / Waterway Board / 120 mm Fan x 3 / Drive Bays
- (C) 360 mm Liquid Cooler / Waterway Board / 120 mm Fan x 3 / Drive Bays
- (D) 420 mm Liquid Cooler / Waterway Board / 140 mm Fan x 3

## Graphics card at the front



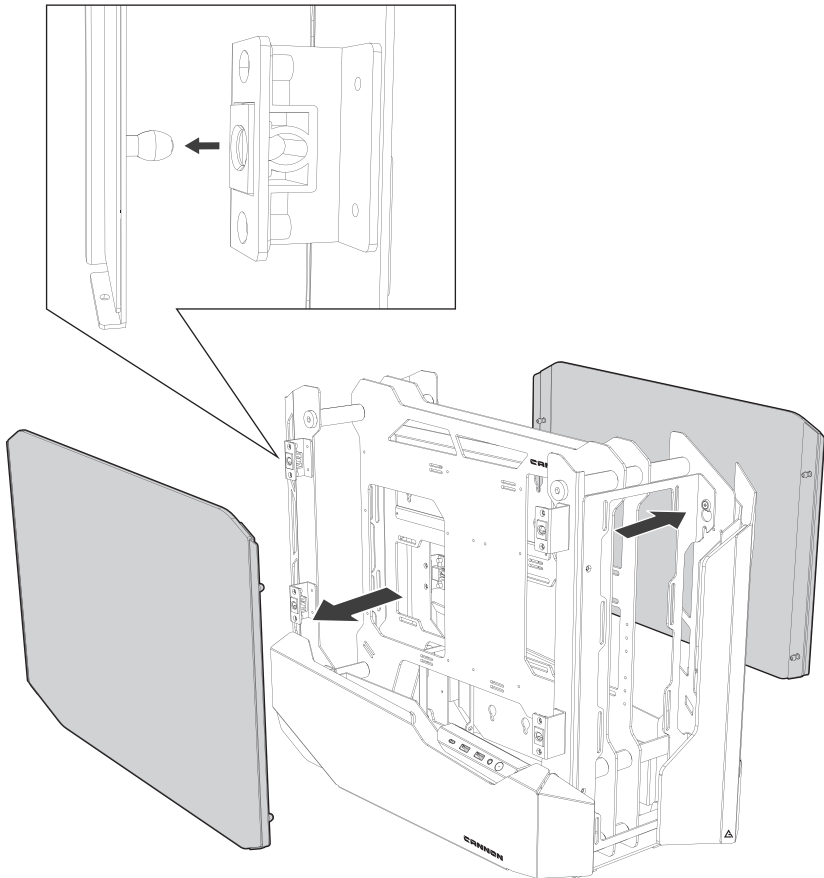
### Installation Options:

- (A) Water Pump
- (B) 360 mm Liquid Cooler / Waterway Board / 120 mm Fan x 3 / Drive Bays
- (C) 360 mm Liquid Cooler / Waterway Board / 120 mm Fan x 3 / Drive Bays
- (D) 420 mm Liquid Cooler / Waterway Board / 140 mm Fan x 3

# INSTALLATION GUIDE

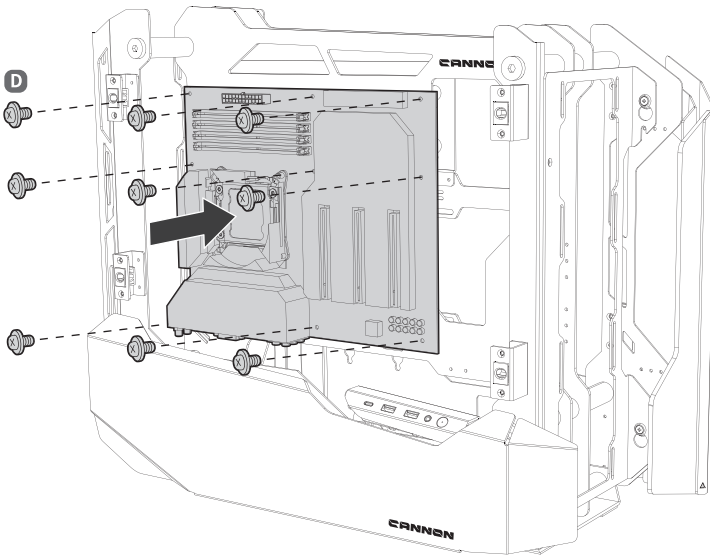
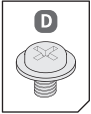
## 1 REMOVE SIDE PANEL

Seitenwand abnehmen | Retirer les Panneaux Latéraux | Rimozione del pannello laterale | Extracción de panel lateral | 拆除側面板 | 拆除側板 | 측면 패널 제거 | 側面のパネルを外す



## 2 MOTHERBOARD INSTALLATION

Installation der Hauptplatine | Installation de la Carte-Mère | Installazione della scheda madre | Instalación de placa base | 安裝主機板 | 安裝主板 | 메인보드 설치 | 마ザー보드設置

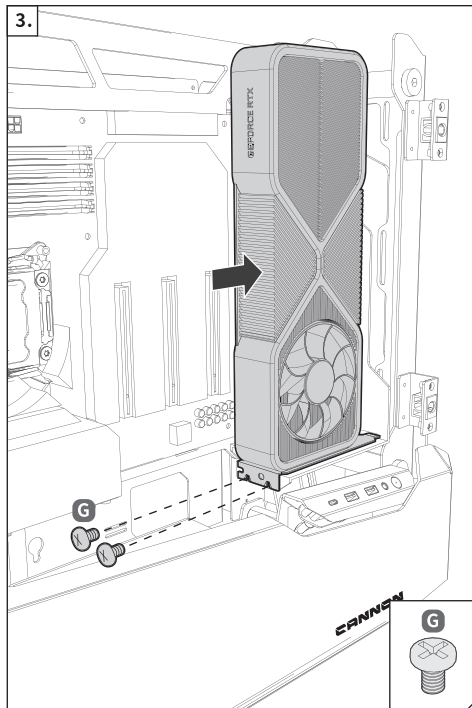
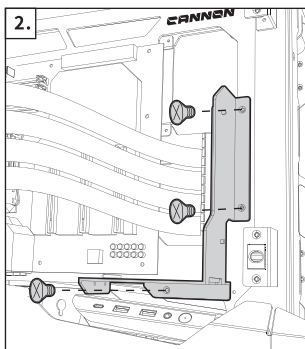
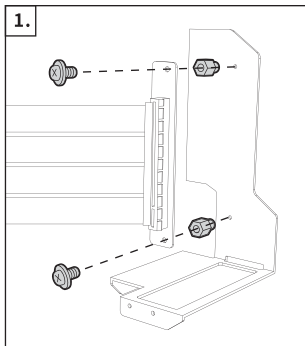


# INSTALLATION GUIDE

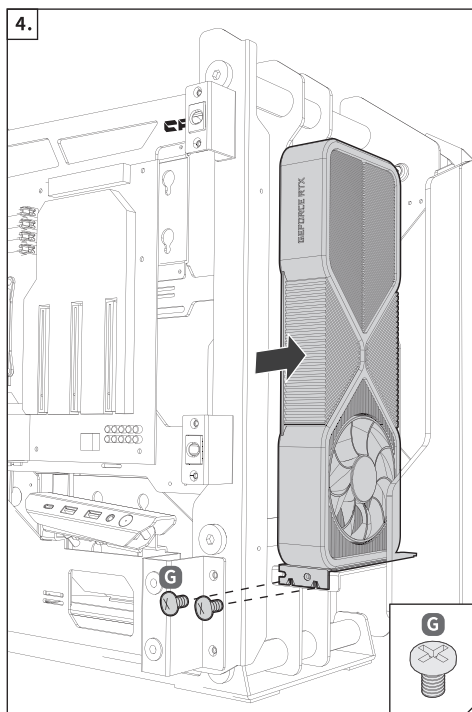
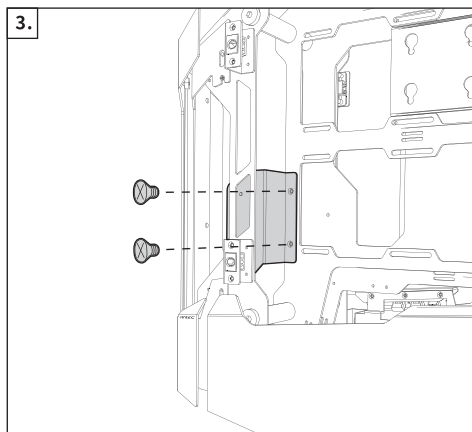
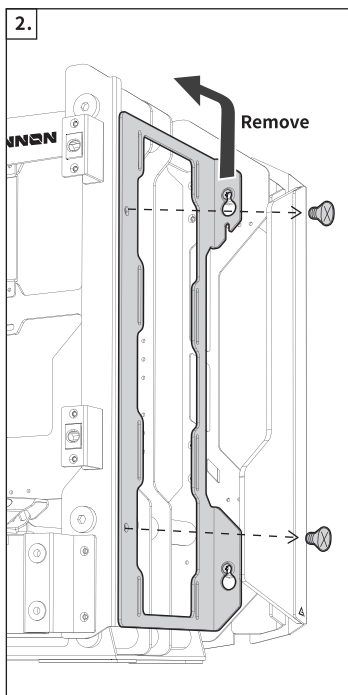
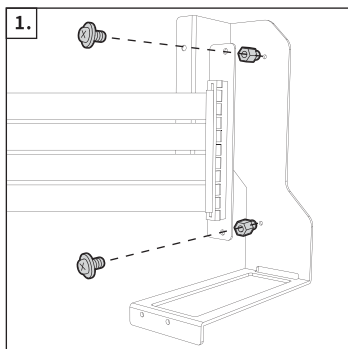
## 3 VGA / PCI-EXPRESS CARD INSTALLATION

Installation der VGA/PCI-Express-Karte | Installation de la Carte Graphique | Installazione della scheda VGA / PCI-Express |  
Instalación de tarjeta VGA/PCI-Express | 安裝VGA/PCI-E卡 | 安裝VGA/PCI-E显卡 | VGA / PCI-익스프레스 카드 설치 | VGA / PCI-E카드  
의設置

### [A] LEFT SIDE



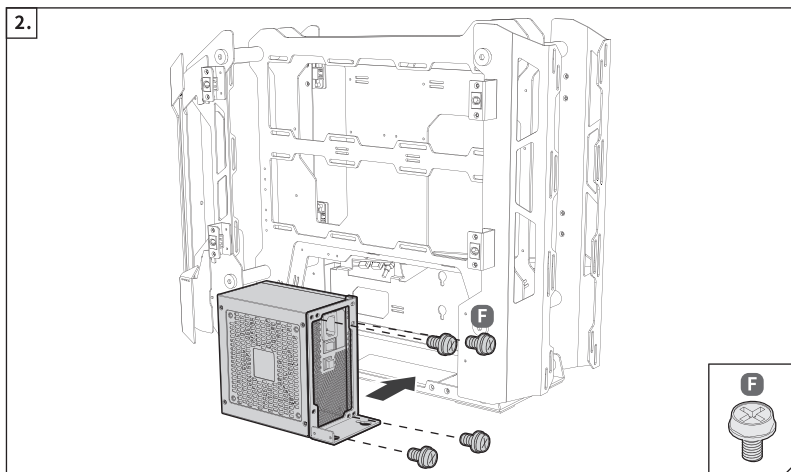
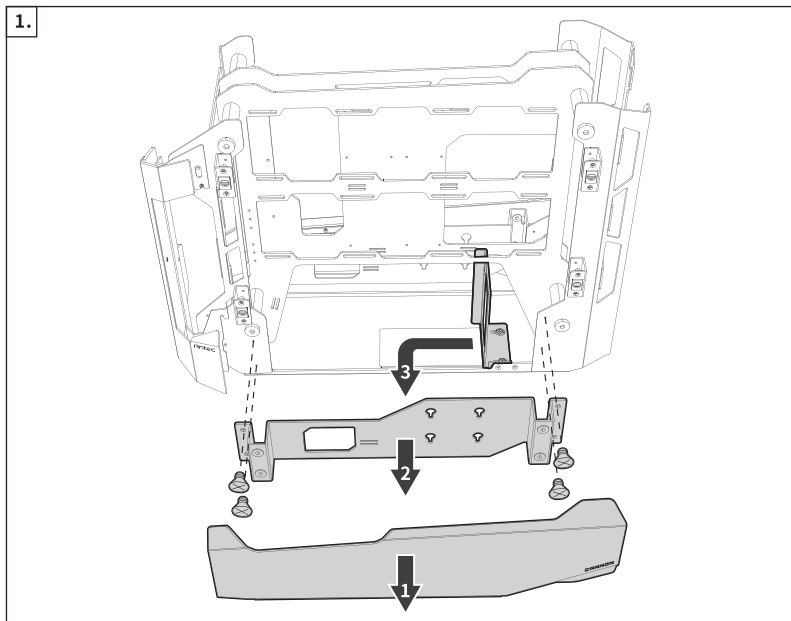
[B] FRONT



# INSTALLATION GUIDE

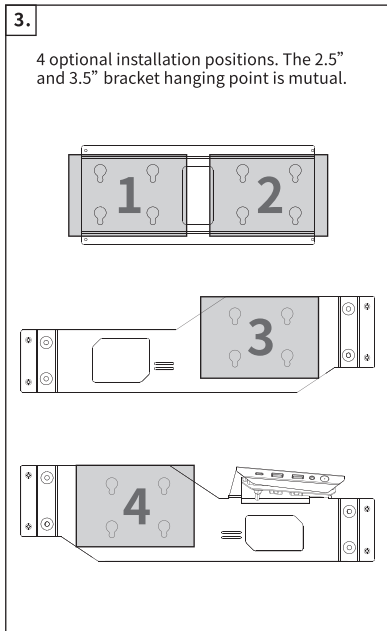
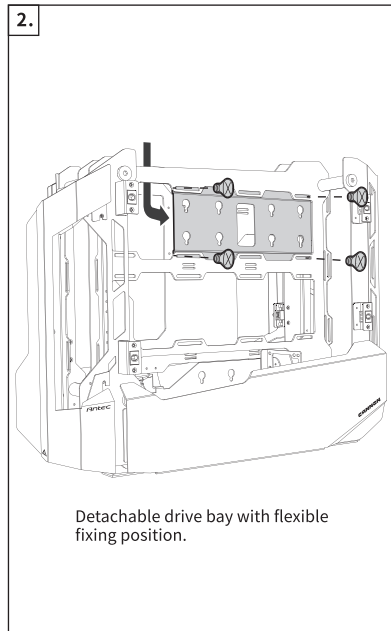
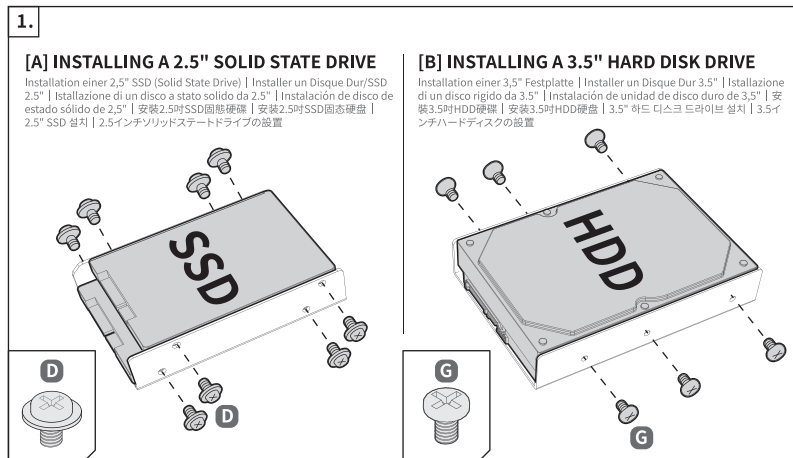
## 4 POWER SUPPLY INSTALLATION

Installation des Netzteils | Installation du Bloc d'Alimentation | Installazione dell'alimentatore di rete | Instalación de fuente de alimentación | 安裝電源供應器 | 安裝電源 | 파워 서플라이 설치 | 電源設置



## 5 HARD DISK INSTALLATION

Festplatteninstallation | Installation des Disques Durs | Istallazione del disco rigido | Instalación de disco duro | 安裝硬碟 | 安裝  
 硬盘 | 하드 디스크 설치 | 하드디스크의設置



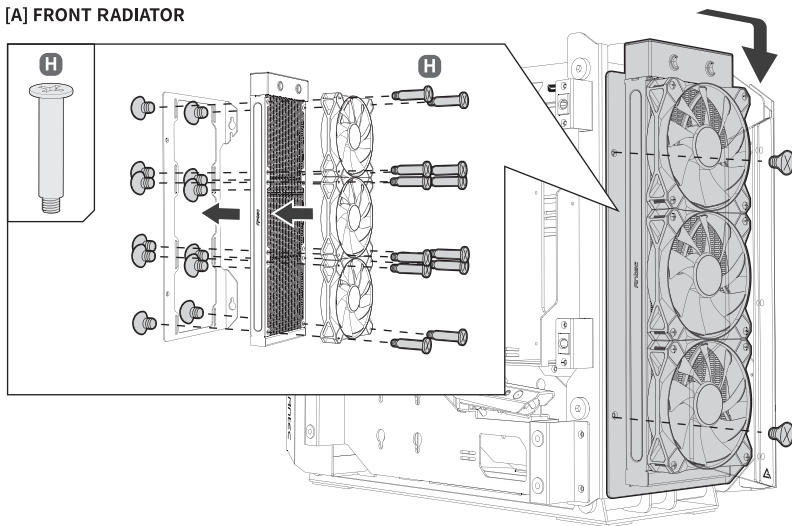


# INSTALLATION GUIDE

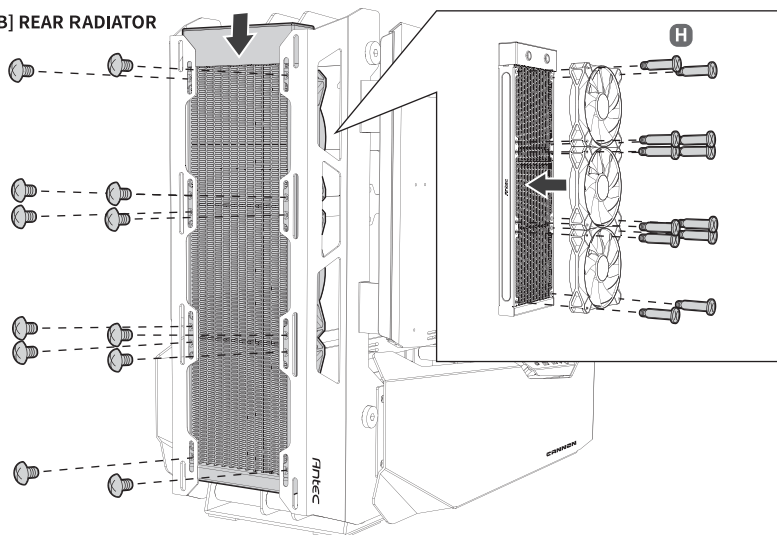
## **F** LIQUID COOLING RADIATOR INSTALLATION

Installation des Kühlers für die Flüssigkeitskühlung | Installation des Radiateurs Watercooling | Installazione del radiatore di raffreddamento liquido | Instalación de radiador de refrigeración líquida | 安裝水冷散熱器 | 安裝水冷散熱器 | 액체 냉각 라디에이터 설치 | 液体冷却ラジエーターの設置

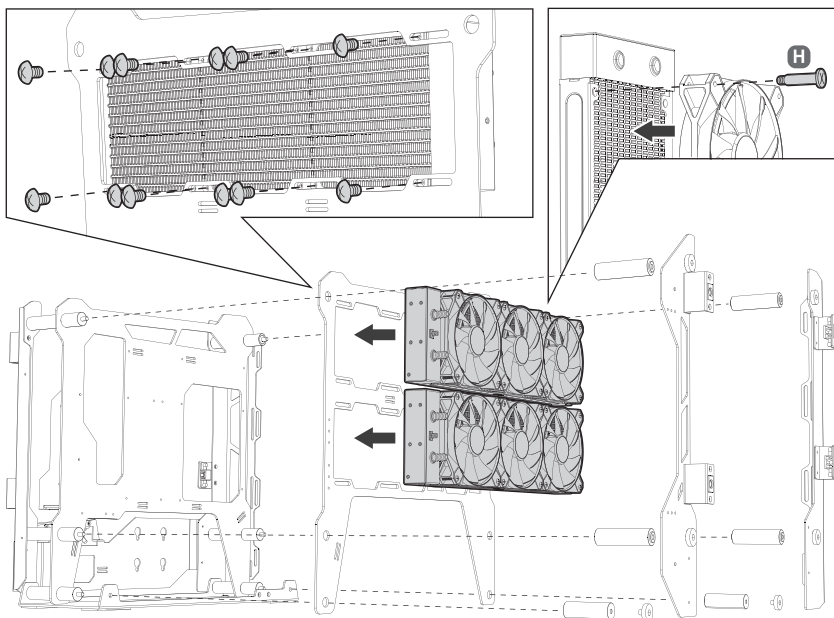
### **[A] FRONT RADIATOR**



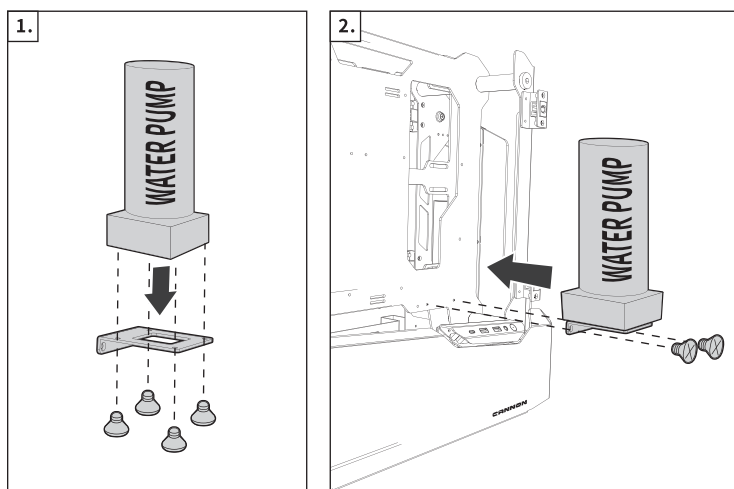
### **[B] REAR RADIATOR**



### [C] RIGHT SIDE RADIATOR



### [D] WATER PUMP



# INSTALLATION GUIDE

## 7 LIQUID COOLING RADIATOR OPTIONS AND LOCATIONS

Optionen und Einbaualternativen des Flüssigkeitskühlers | Emplacements et Options pour Radiateurs Watercooling | Opzioni e posizioni possibili del radiatore di raffreddamento | Opciones y posibles ubicaciones de radiador de refrigeración líquida | 其他水冷散热器安装位置 | 其他水冷散热器安装位置 | 액체 냉각 라디에이터 옵션 및 위치 | 液体冷却ラジエーターオプションと位置

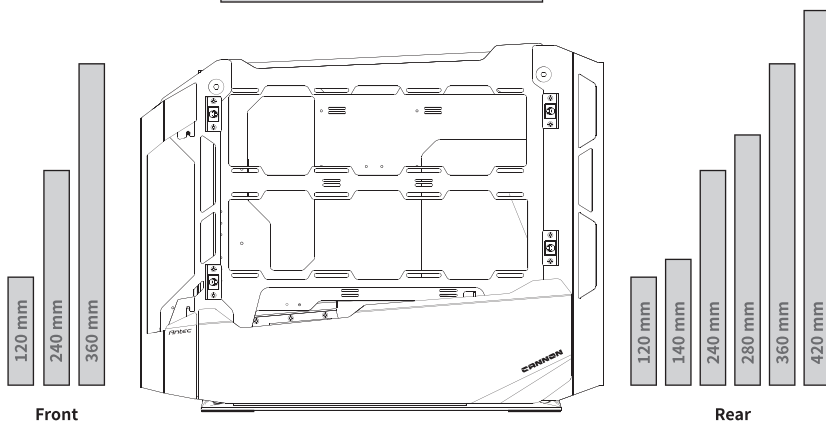
### Right Side

Support up to 2 x radiators at the same time

120 mm

240 mm

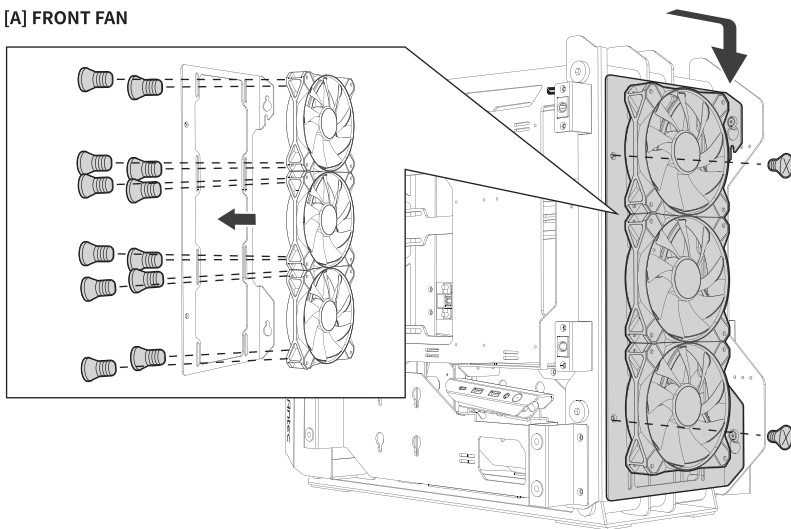
360 mm



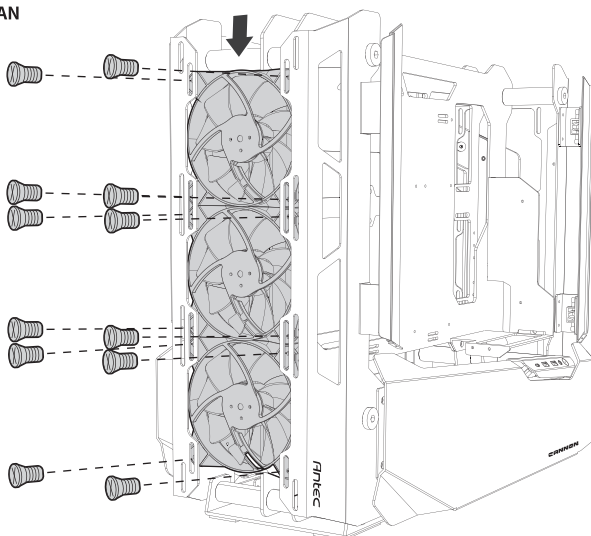
## 8 FAN INSTALLATION

Installation des Lüfters | Installation des Ventilateurs | ISTALLAZIONE DEL VENTILATORE | Instalación de ventilador | 安裝風扇 | 安裝風扇 | 팬 설치 | 팬의取り付け

### [A] FRONT FAN

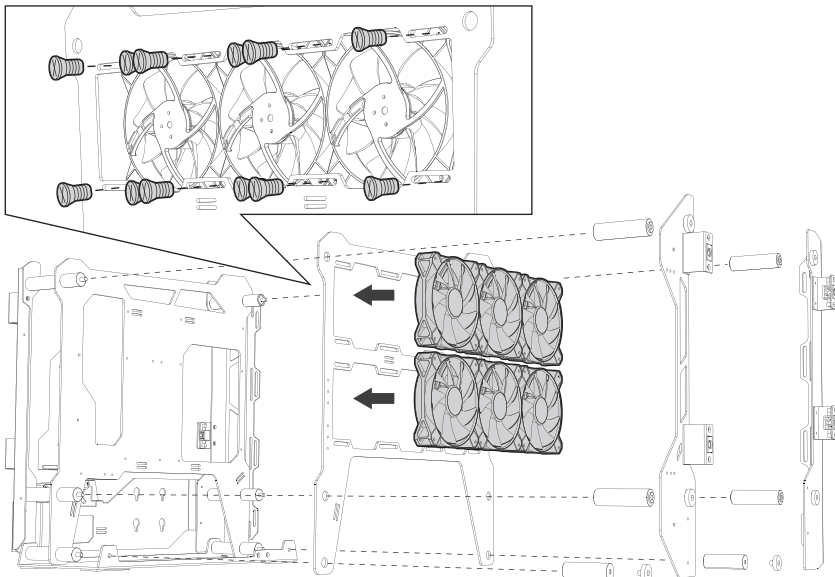


### [B] REAR FAN



# INSTALLATION GUIDE

## [C] RIGHT SIDE FAN



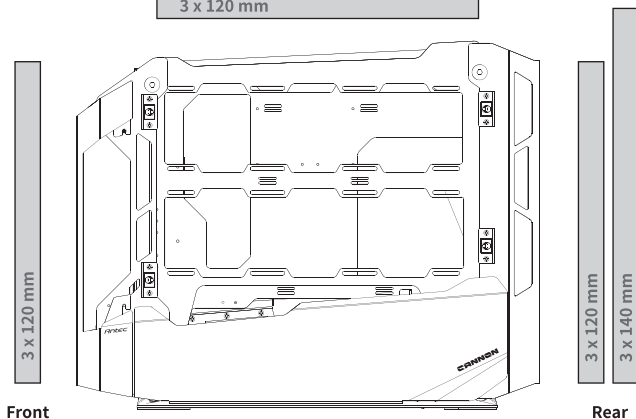
## 9 POSSIBLE FAN LOCATIONS

Mögliche Positionen des Lüfters | Emplacements Possibles des Ventilateurs | Posizioni possibili del ventilatore | Posibles ubicaciones de ventilador | 其他風扇安裝位置 | 其他風扇安裝位置 | 가능한 팬 위치 | 考えられるファンの位置

### Right Side

Support up to 6 x fans at the same time

3 x 120 mm

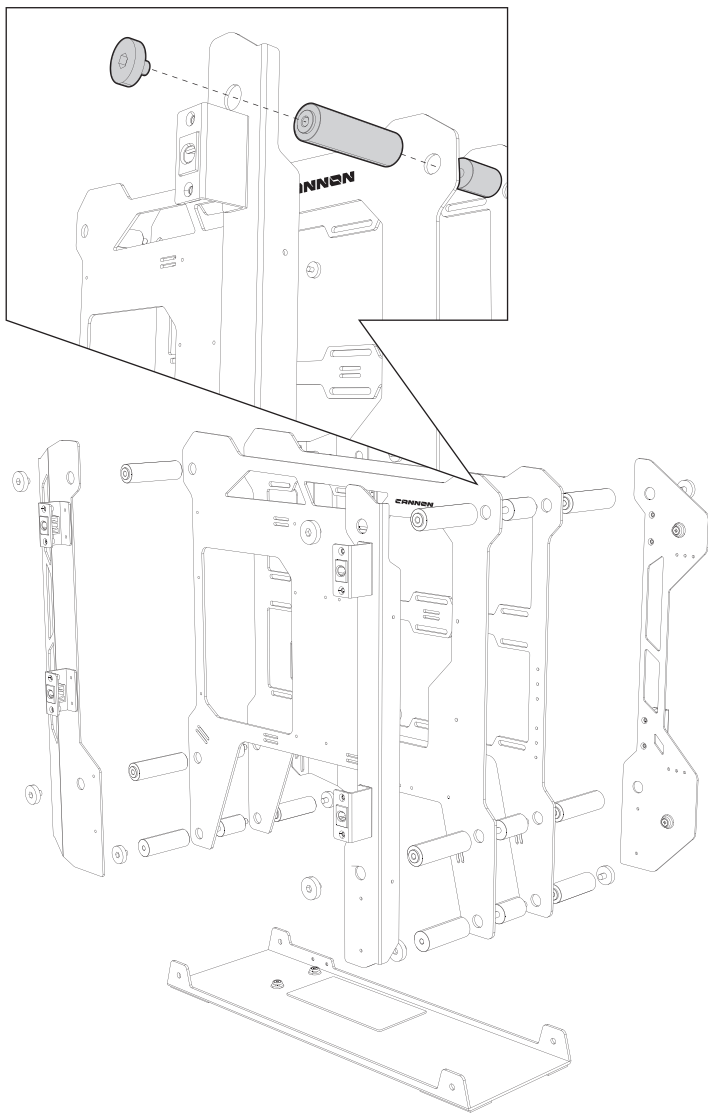


Front

Rear

## 10 MAIN STRUCTURE DISASSEMBLING SECTION

Gehäusezerlegeanleitung | Section demontage de la structure principale | Sezione di smontaggio della struttura principale |  
Sección de desmonte de la estructura principal | 主體支架拆卸 | 主体支架拆卸 | 몸체 브라켓 탈착 | 筐体フレーム分解

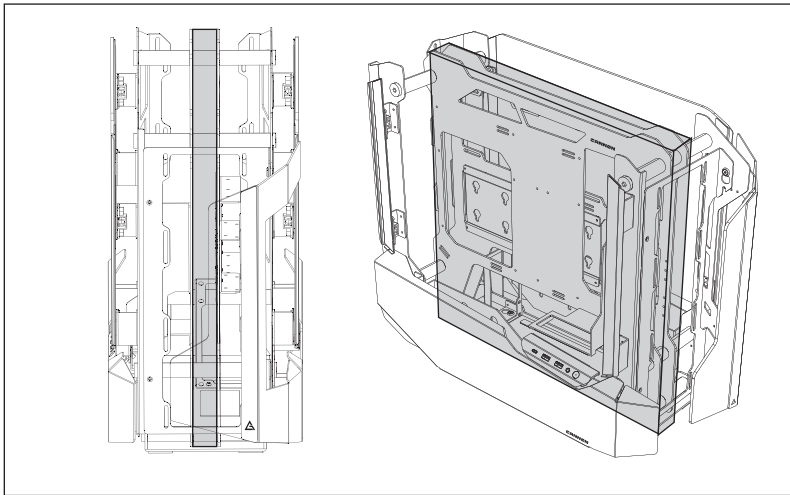


# INSTALLATION GUIDE

## II CABLE MANAGEMENT SUGGESTION

Kabelmanagementvorschläge | Suggestion de gestion des cables | Suggerimento per la gestione dei cavi | Sugerencia de organización del cableado | 理線空間說明 | 理线空间说明 | 케이블 정리 설명서 | 配線說明

### [A] CENTER OF THE CHASSIS



### [B] BOTTOM OF THE CHASSIS

