

# S8038-7K

80 mm Server Fan

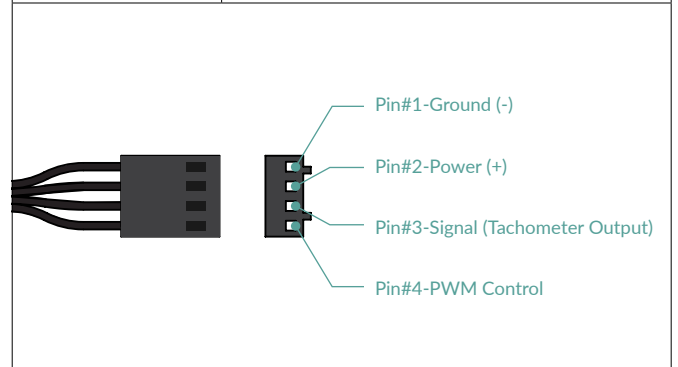


## General Specifications

Dimensions	80 (L) x 80 (W) x 38 (H) mm
Weight	146 g
Flammability UL 94	V-0
Operating Ambient Temperature	-10°C~70°C
Warranty	6 Years

## Fan Specifications

Speed	500–7000 rpm, PWM controlled
Static Pressure	25 mmH <sub>2</sub> O
Airflow	70 cfm   118.93 m <sup>3</sup> /h
Bearing	Dual Ball Bearing
Cable Length	300 mm, Black
Connector	4-Pin Connector
Current   Voltage	0.5 A   12.0 V DC
Start up Voltage	3.6 V DC



## Shipping Information – Single Fan

Package Content	S8038-7K x1 Mounting Screws x4 Impeller Sticker x1
Box Dimensions	88 (L) x 86 (W) x 44 (H) mm
Gross Weight	174 g
SKU	ACFAN00288A
EAN	4895213704281
UPC	840033402057

## Shipping Information – 4 Pack

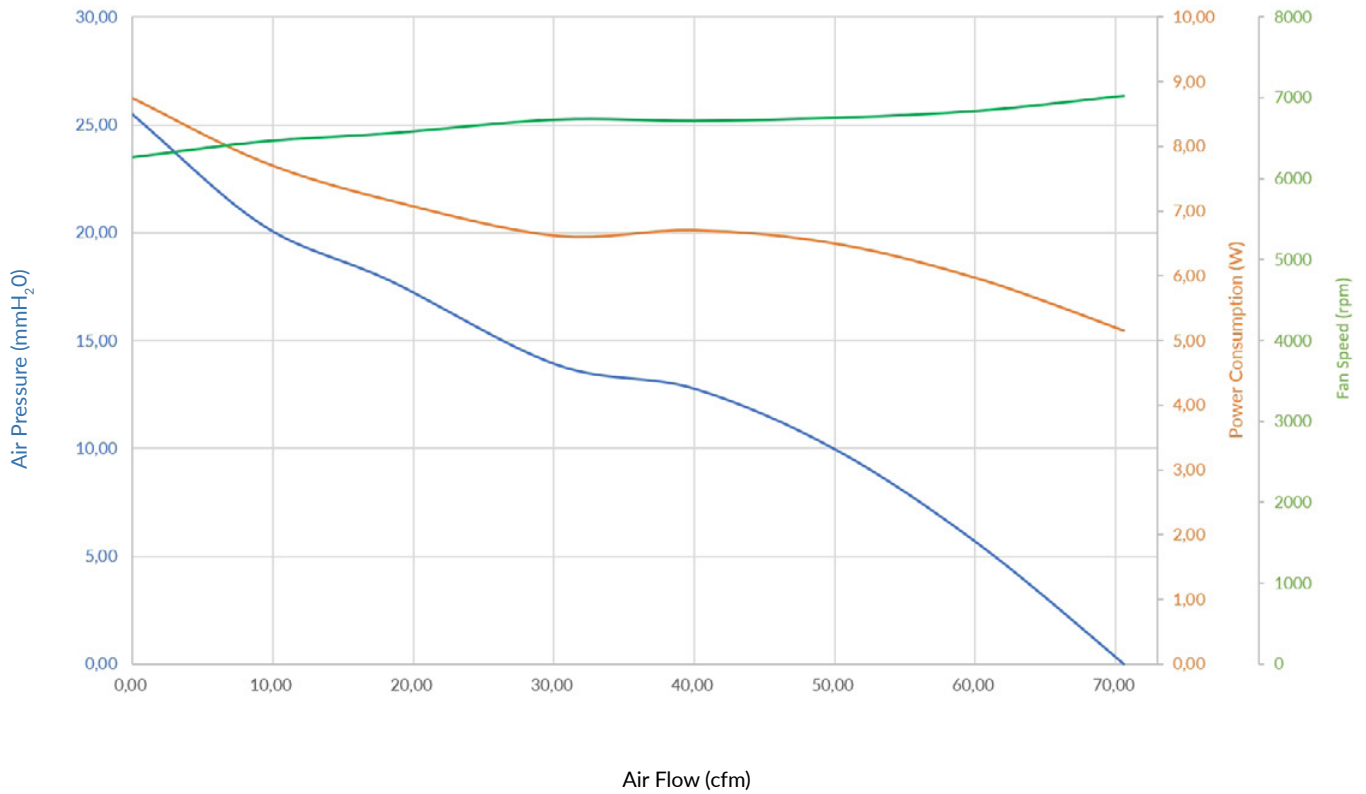
Package Content	S8038-7K x4 Mounting Screws x16 Impeller Sticker x4
Box Dimensions	185 (L) x 104 (W) x 78 (H) mm
Gross Weight	707 g
SKU	ACFAN00292A
EAN	4895213704304
UPC	840033402071

# S8038-7K

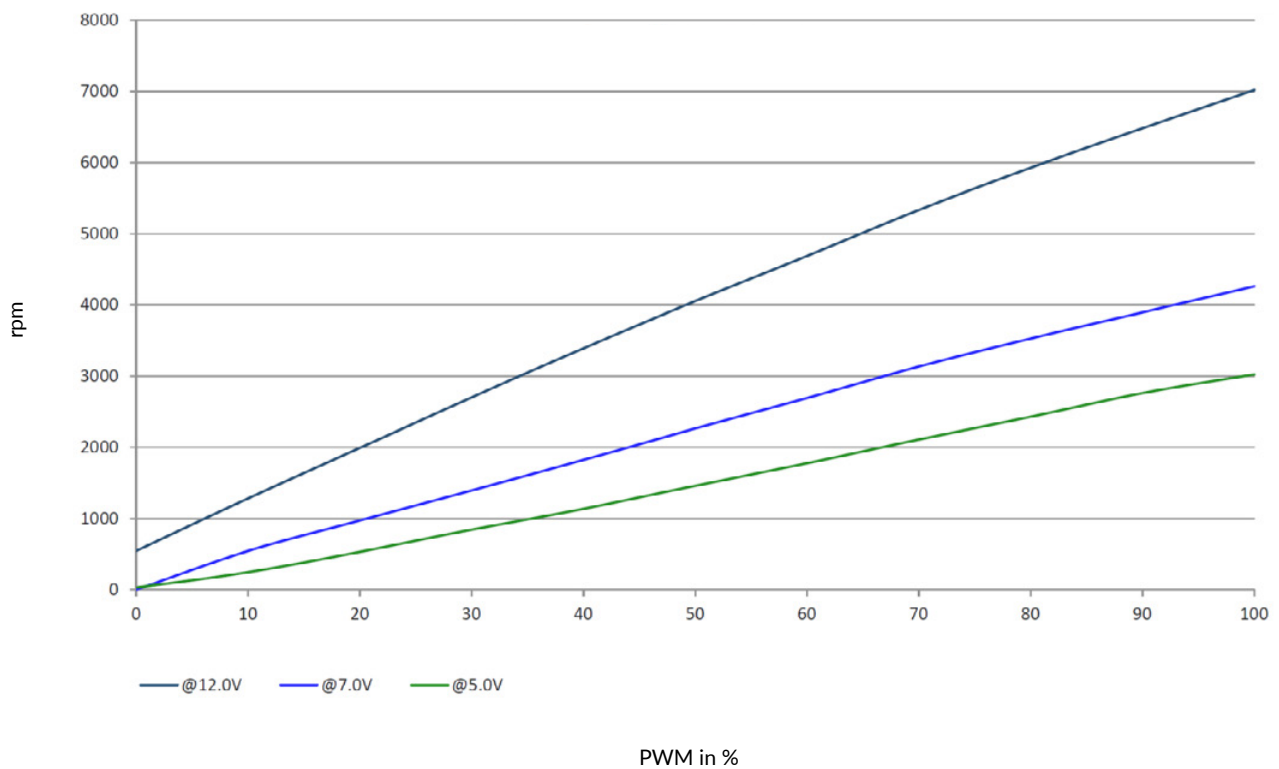
80 mm Server Fan



### P/Q Curve

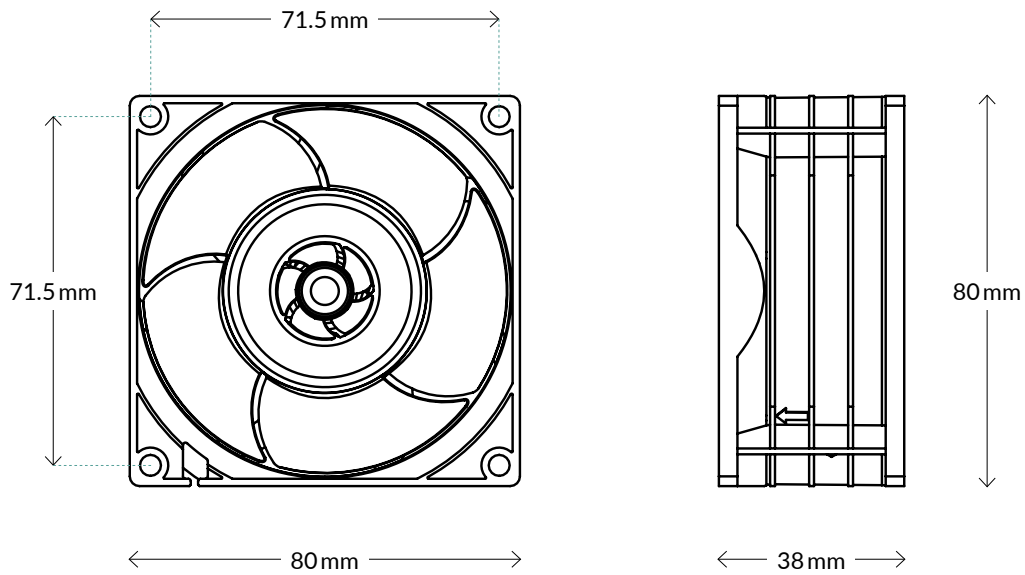
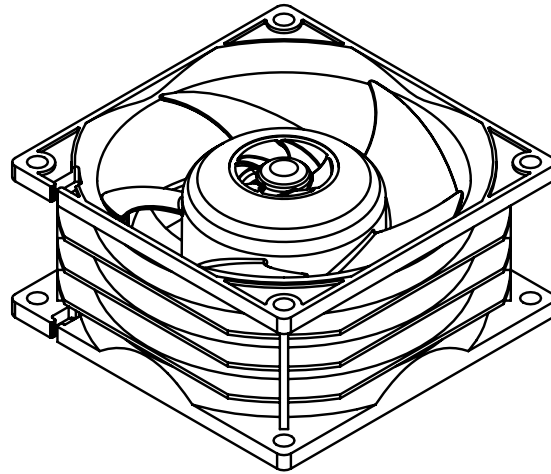


### PWM to rpm Curve



# S8038-7K

80 mm Server Fan



All materials are compatible with RoHS requirements.

MORE INFORMATION



MANUALS

