

- **Style:** CTE (Centralized Thermal Efficiency) Form Factor Design
- **Size:** Full Tower supports up to E-ATX MB
- **Material:** Steel & Tempered Glass

## Datasheet

### Main Features

- **Connection :** Front I/O ports with 4 x USB 3.0 & 1 x USB 3.2 (Gen 2) Type C
- **Ventilation :** 3 preinstalled 140mm CT140 ARGB fan
- **Supports :** Supports AIO/DIY cooling solutions





thermaltake

Speci

Model	CTE C750 TG ARGB	CTE C750 TG ARGB Snow
P/N	CA-1X6-00F1WN-01	CA-1X6-00F6WN-01
Case Type	Full Tower	
Chassis Dimension (H*W*D)	565.2 x 327 x 599.2 mm (22.25 x 12.87 x 23.59 inch)	
Net Weight	16.7 kg / 36.82 lbs.	17.1 kg / 37.7 lbs.
Panel	4mm Tempered Glass x 2	
Color	Black	White
Material	SPCC / ABS	
Cooling System	<b>Front(intake):</b> 140 x 140 x 25 mm CT140 ARGB fan (1500rpm, 30.5 dBA) x 1 <b>Top(exhaust):</b> 140 x 140 x 25 mm CT140 ARGB fan (1500rpm, 30.5 dBA) x 1 <b>Rear(intake):</b> 140 x 140 x 25 mm CT140 ARGB fan (1500rpm, 30.5 dBA) x 1	
Drive Bays	7 x 3.5" or 12 x 2.5"	
Expansion Slots	7	
Motherboards	6.7" x 6.7" (Mini ITX), 9.6" x 9.6" (Micro ATX), 12" x 9.6" (ATX), 12" x 13" (E-ATX)	
I/O Port	USB 3.2 (Gen 2) Type-C x 1, USB 3.0 x 4, HD Audio x 1	
PSU	Standard PS2 PSU (optional)	
Fan Support	<b>Front:</b> 3 x 120mm, 2 x 120mm, 1 x 120mm 3 x 140mm, 2 x 140mm, 1 x 140mm 2 x 200mm, 1 x 200mm <b>Top:</b> 2 x 120mm, 1 x 120mm 2 x 140mm, 1 x 140mm <b>Right (M/B Side):</b> 3 x 120mm, 2 x 120mm, 1 x 120mm 3 x 140mm, 2 x 140mm, 1 x 140mm <b>Rear:</b> 3 x 120mm, 2 x 120mm, 1 x 120mm 3 x 140mm, 2 x 140mm, 1 x 140mm 2 x 200mm, 1 x 200mm <b>Bottom:</b> 3 x 120mm, 2 x 120mm, 1 x 120mm 3 x 140mm, 2 x 140mm, 1 x 140mm	
Radiator Support	<b>Front:</b> 1 x 360mm, 1 x 240mm, 1 x 120mm 1 x 420mm(AIO only), 1 x 280mm, 1 x 140mm <b>Top:</b> 1 x 240mm, 1 x 120mm 1 x 140mm <b>Right (M/B Side):</b> 1 x 360mm, 1 x 240mm, 1 x 120mm 1 x 420mm(AIO only), 1 x 280mm, 1 x 140mm <b>Rear:</b> 1 x 360mm, 1 x 240mm, 1 x 120mm 1 x 420mm(AIO only), 1 x 280mm, 1 x 140mm <b>Bottom:</b> 1 x 360mm, 1 x 240mm, 1 x 120mm 1 x 280mm, 1 x 140mm	
Clearance	<b>CPU cooler max height:</b> 190mm <b>VGA max length:</b> 370mm (With radiator) 420mm (Without radiator) <b>PSU max length:</b> 220mm	

## Packaging

Package Information	CTE C750 TG ARGB	CTE C750 TG ARGB Snow
EAN Code	4713227537155	4713227537162
UPC Code	841163087169	841163087176
N.W	16.7 kg / 36.82 lbs.	17.1 kg / 37.7 lbs.
G.W	19 kg / 41.89 lbs.	19.3 kg / 42.55 lbs.
Carton Size (L x W x H)	670 x 406 x 650 mm / 26.38 x 15.98 x 25.59 inch	
Cuft	6.24	
Container	w/o pallet	
20'	167 pcs	
40'	350 pcs	
40' HQ	395 pcs	



## Appearance – Black version



Angle view



Left Side view



Front view



Right Side view



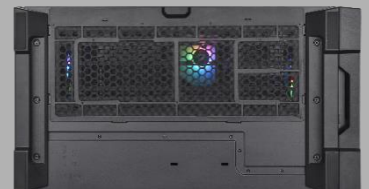
Top view



Internal Structure



Rear view



Bottom view



# Thermaltake CTE C750 TG ARGB Full Tower Chassis

Appearance –  
Snow version



Angle view



Left Side view



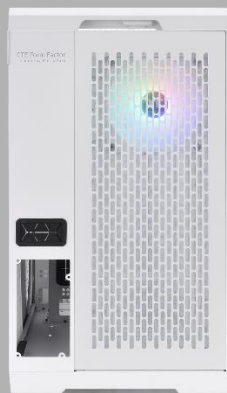
Front view



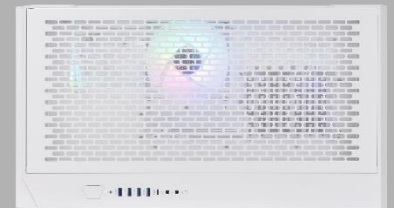
Right Side view



Internal Structure



Rear view



Top view



Bottom view

## Clearance



Maximum supports up to 140mm fan x 14

Maximum radiator supports up to 420mm at front



Maximum 120/140mm top fan x 2

## Structure (External)



**USB 3.2 (Gen 2) Type-C x 1**

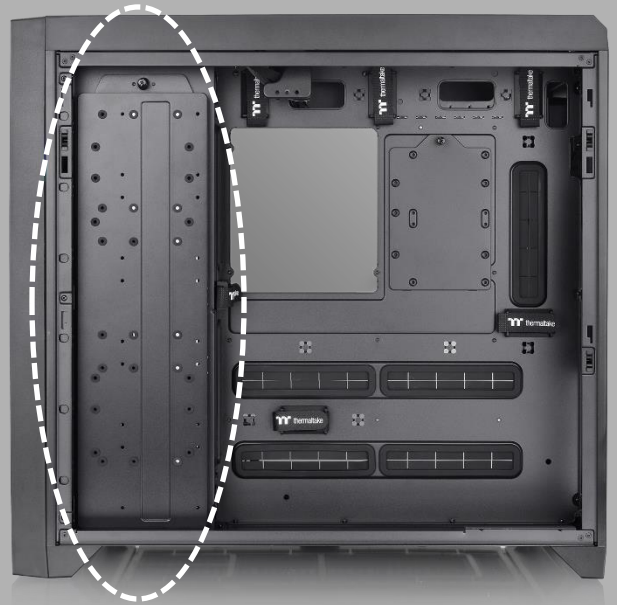
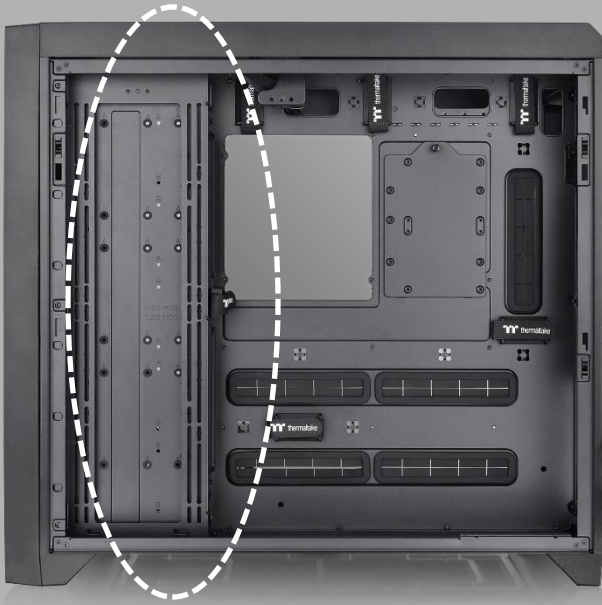
**USB 3.0 x 4**

**HD Audio**



**4mm Tempered Glass x 2**

## Structure (Internal)



HDD bracket can be installed in 3 places







# Thermaltake CTE C750 TG ARGB Full Tower Chassis

## Structure (Internal)



Supports up to 2.5" SSD x 12



Supports up to 3.5" HDD x 7



## Structure (Internal)



Front filter



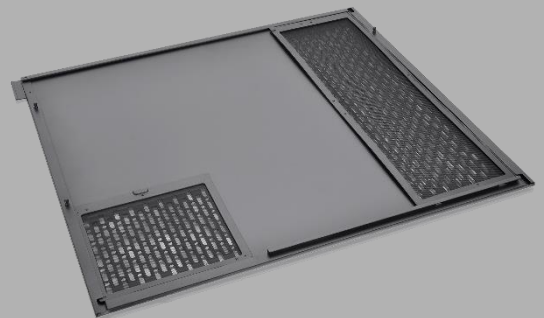
Top filter



Rear filter



Bottom filter



Right side filter

## Structure (Internal)



Pump bracket is compatible with Pacific PR12-D5 Plus



120/140mm Fan x 3 at the bottom

## Structure (Internal)



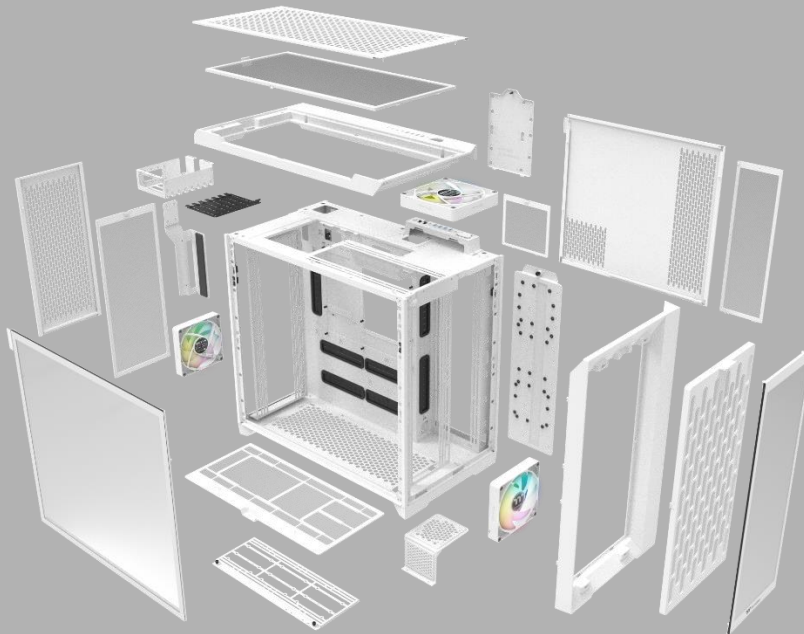
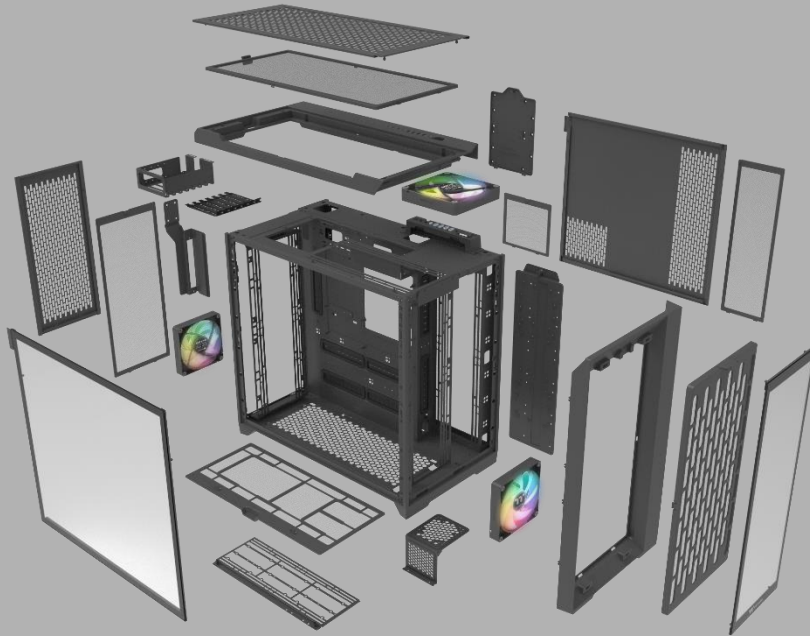
## Rotatable PCI-E Design





# Thermaltake CTE C750 TG ARGB Full Tower Chassis

## Exploded View



## Pre-installed ARGB Fans



Pre-installed three hydraulic bearing **CT140 ARGB** fans which can effectively lower the operation noise and enhance the thermal efficiency.



Black Version



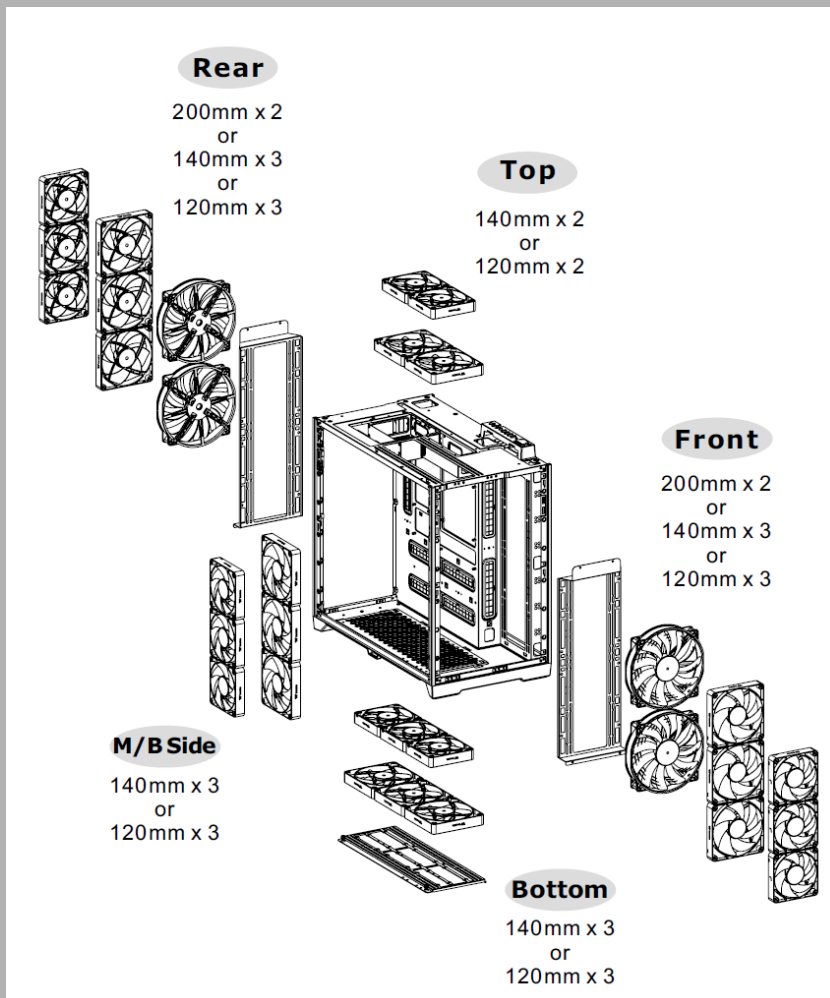
Snow Version

SPEC for Case **CT140 ARGB** fans

- Fan Speed: 500~1500 RPM
- Max. Fan Airflow: 77.37 CFM
- Max. Fan Air Pressure: 2.3 mm-H2O
- Fan Noise Level: 30.5 dBA
- Fan Bearing: Hydraulic bearing

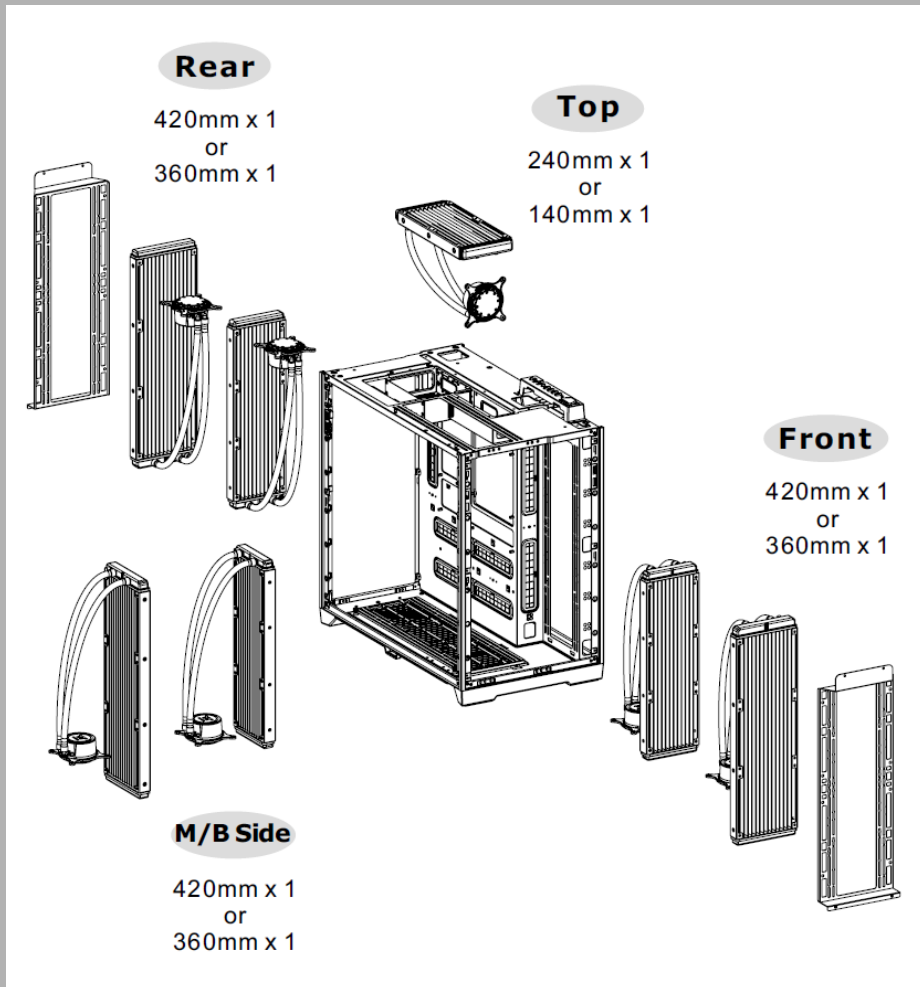
## Compatibility List

Fan Compatibility List			
	120mm	140mm	200mm
Front	3	3	2
Top	2	2	-
M/B Side	3	3	-
Rear	3	3	2
Bottom	3	3	-



## All-in-One Compatibility

All-in-One Compatibility List						
	120mm	240mm	360mm	140mm	280mm	420mm
Front	●	●	●	●	●	●
Top	●	●	-	●	-	-
M/B Side	●	●	●	●	●	●
Rear	●	●	●	●	●	●
Bottom	-	-	-	-	-	-





## DIY Liquid Cooling Compatibility

DIY Liquid Cooling Compatibility List						
	120mm	240mm	360mm	140mm	280mm	420mm
<b>Front</b>	●	●	●	●	●	-
<b>Top</b>	●	●	-	●	-	-
<b>M/B Side</b>	●	●	●	●	●	-
<b>Rear</b>	●	●	●	●	●	-
<b>Bottom</b>	●	●	●	●	●	-

