



MX440-G RGB Plus

Tempered Glass Mid Tower with Sturdy and Solid Style

MX440-G RGB Plus's design has continued COUGAR's iconic sturdy and solid style. With included four RGB fans, the tempered glass front panel showcases stunning lighting view. Besides, it has wide and powerful interior spaces, which allows you to have hardware expandability, high cooling performance, and abundant storage space.



Strength and Sturdy

MX440-G RGB Plus's front panel features bold lines and rugged structures. It is the chassis that brings the new concept of strength and sturdy to the gaming world. Moreover, the tempered glass front panel allows internal lighting to create mesmerizing effects.



Massive Tempered Glass Left Panel

With the full-length PSU cover hides cables and a massive tempered glass left panel presents a clean and tidy build, you can easily build a pro-level system.



Wider but More Compact and Powerful

MX440-G RGB Plus's 215mm width allows much larger interior space with better cooling performance and cable management. However, its compact exterior dimension takes up less desktop space. MX440-G RGB Plus can surely fit a full-sized ATX Motherboard, 320mm-length Graphic card, four 2.5" SSDs, and two 3.5" HDDs, which allow you to achieve the extreme operation and abundant storage space.

← 215 mm →



Incredible RGB Lighting

MX440-G RGB Plus comes with 4 RGB fans. You are freely to control several amazing lighting effects that we have preset for you with the dedicated RGB button.



Sufficient for Multiple USB Devices

The top panel is equipped with two USB 3.0 ports and two USB 2.0 ports, let you easily connect multiple peripheral devices and accessory charging. Not only optimize your processing experiences, but also keep all USB devices without limitations.



* Top fans and radiators are optional, specifications might vary depending on the country or region of sale.
* The RGB fans of MX440 series do not support synchronization with motherboards.



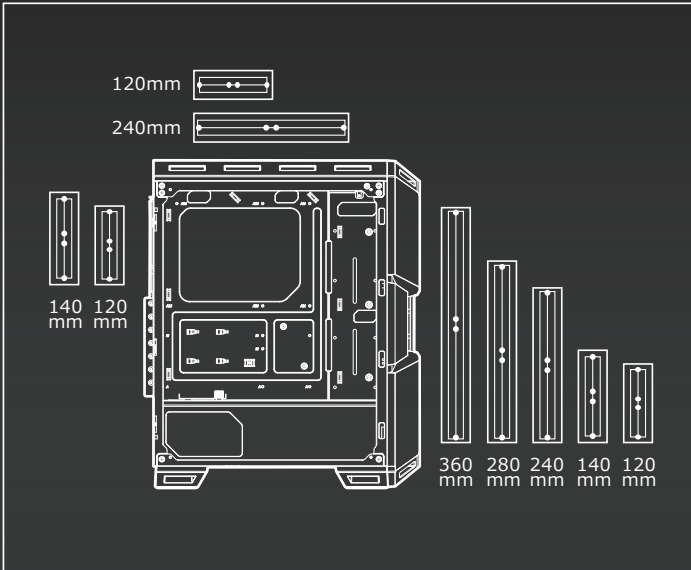
MX440-G RGB Plus

Tempered Glass Mid Tower with Sturdy and Solid Style

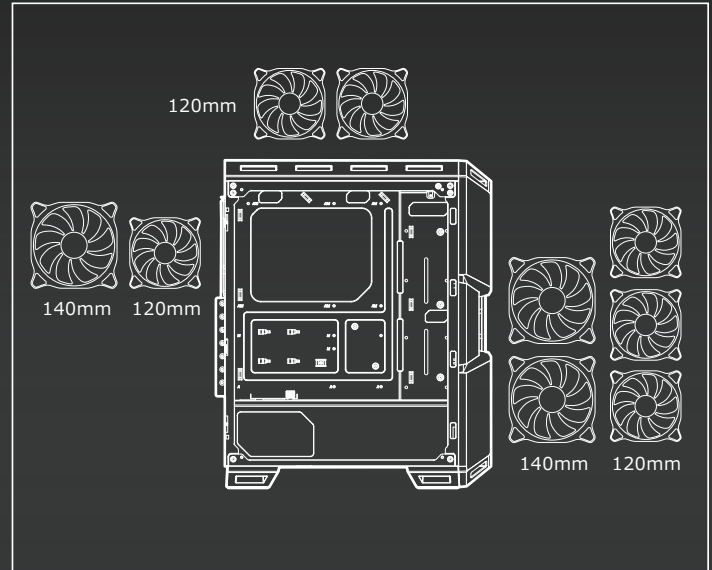
Strong Cooling Performance

MX440-G RGB Plus's interior space supports up to 170mm height CPU air cooler, a 360mm water cooling radiator, and high-end cooling components. It helps you to protect critical components from overheating.

Water cooling radiator support



Air cooling support



SPECIFICATIONS

Model No.	CGR-56C2B-G-RGB-P	Water Cooling Support	Front : 360mm / 280mm / 240mm / 140mm / 120mm Top : 240mm / 120mm Rear : 140mm / 120mm
Case Type	Mid Tower	Cooling Fan Support	* Front : 120mm x 3 / 140mm x 2 (120mm RGB Fans x 3 pre-installed) Top : 120mm x 2 * Rear : 120mm x 1 / 140mm x 1 (120mm RGB Fan x 1 pre-installed)
Motherboard Type	Mini ITX / Micro ATX / ATX	Maximum Number of Fans	6 Max.
Dimension (WxHxD)	215 x 505 x 424 (mm) / 8.5 x 19.9 x 16.7 (in)	Max. Graphics Card Length	** 320 (mm) / 12.6 (in)
Case Drive Bays	3.5" : 2 2.5" : 4 + 1 (converted from 3.5" drive bays) / (2 SSD trays included)	Max. CPU Cooler Height	170 (mm) / 6.7 (in)
I/O Panel	USB 3.0 x 2, USB 2.0 x 1, Mic x 1 / Audio x 1, RGB Button	Transparent Left Panel	4mm Tempered Glass
Expansion Slots	7		
Max. PSU Length	150 (mm) / 5.9 (in)		

* The RGB fans of MX440 series do not support synchronization with motherboards.

** Horizontal graphics card slots are compatible with RTX 3090/3080/3070.

PACKING DATA

Product Name	MX440-G RGB Plus	Individual Size W/O Packaging Weight (N.Weight)	6.35 (kg)
Product Number (P/N)	3856C20.0006	Individual Packaging Weight (G.Weight)	7.5 (kg)
EAN CODE	4710483774249	Individual Size W/O Packaging (WxHxD)	215 x 505 x 424 (mm) / 8.5 x 19.9 x 16.7 (in)
UPC CODE	192554004846	Individual Packaging Size (WxHxD)	287 x 572 x 486 (mm) / 11.3 x 22.51 x 19.13 (in)