

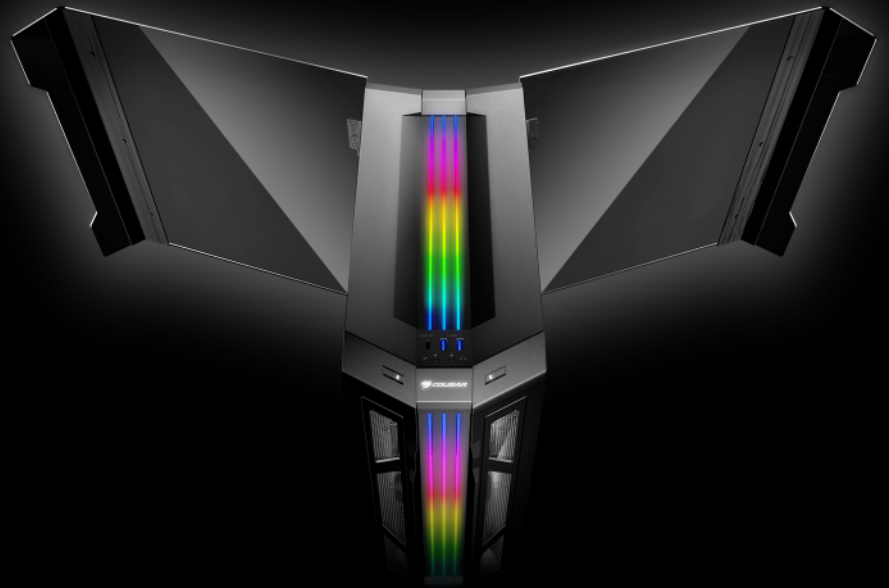
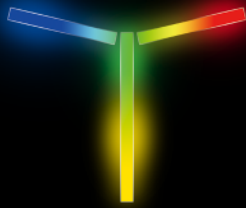


# GEMINI T PRO

ARGB Glass-Wing Mid-Tower

## GEMINI T PRO IS NOT DIFFERENT. IT'S BETTER.

This new case from COUGAR breaks conventions with an intelligent design that combines performance and innovation in a gorgeous ARGB-lit package with vertical GPU support.



## Trelux RGB Lighting

COUGAR's new Trelux technology provides Gemini T Pro with a powerful lighting system of its own: three long RGB-powered lenses cover the front and top of the case. The Trelux dynamic RGB lighting will amaze everybody!



Controllable directly through a convenient front panel button, Trelux can also work connected to a COUGAR Core Box v2 or to a compatible motherboards' 5V connection for system-wide lighting integration.



## Glass Wings

Two massive gull-wing tempered glass side panels flank Gemini T Pro. This unique design gives you a clear view of the computer's components and makes tool-less maintenance very convenient.



Apart from cooling, the two side fans facing the glass window allow you to set up a fantastic lighting spectacle inside Gemini T Pro!



## Vertical GPU support

This revolutionary case is both about performance and aesthetics. To bring your system's awesomeness to the limit, Gemini T Pro supports vertical GPU installation. This joins the two supported side fans to produce one of the most incredible side windows a PC case has ever had.





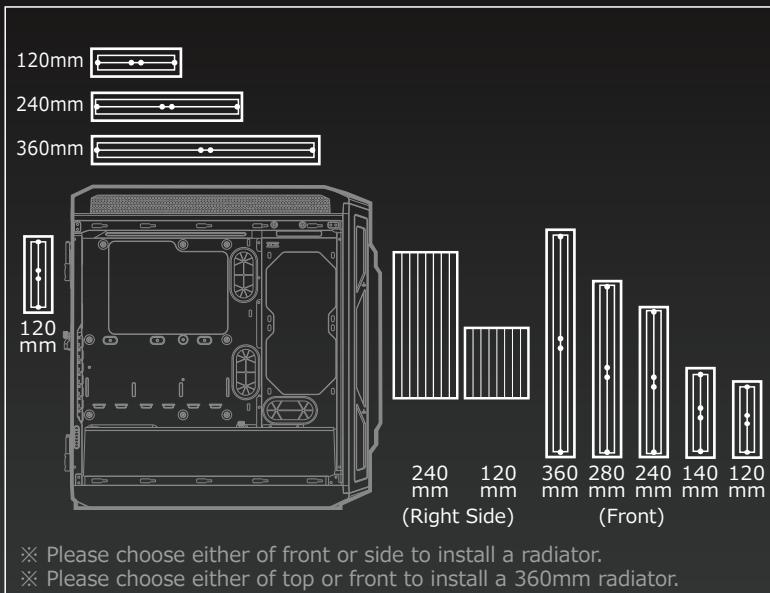
# GEMINI T PRO

ARGB Glass-Wing Mid-Tower

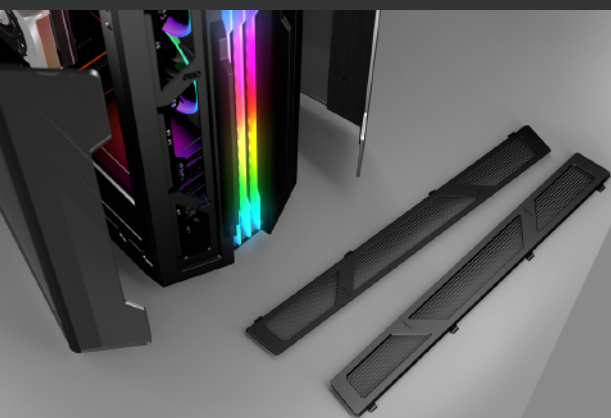
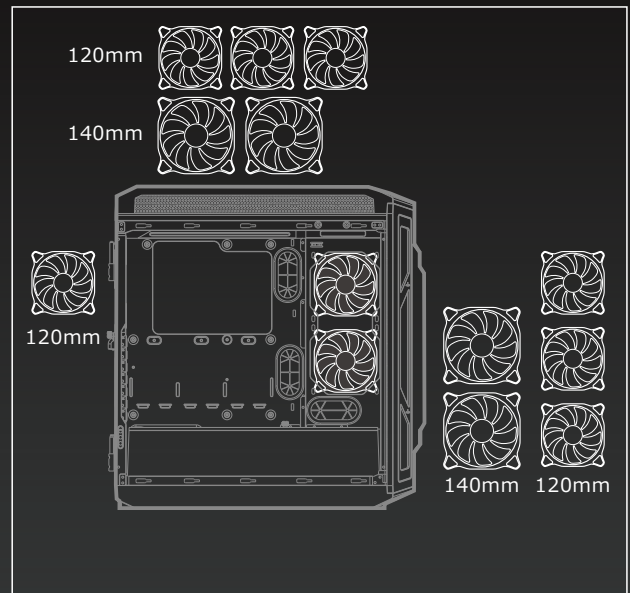
## Intelligent Cooling

Up to nine fans and three water cooling radiators match Gemini T Pro's support for the latest components with top-end cooling capabilities. Two big frontal vents with detachable filters guarantee a clear air intake, while two side vents on both sides of the top cover create an excellent way for the exhaust to leave the case without dust getting in.

## Water cooling radiator support



## Air cooling support



Two big frontal vents with detachable filters guarantee a clear air intake, while two side vents on both sides of the top cover create an excellent way for the exhaust to leave the case without dust getting in.

Case Type	Mid Tower
Motherboard Type	Mini ITX / Micro ATX / ATX / CEB
Dimension (WxHxD)	227 x 535 x 527 (mm) / 8.9 x 21.0 x 20.7 (in)
Case Drive Bays	3.5" : 2 2.5" : 3 (With five possible locations within the case)
I/O Panel	USB 3.1 Type-C x 1 / USB3.0 x 2, Mic x 1 / Audio x 1, RGB Control Button
Cooling Fan Support	Front : 140mm x 2 / 120mm x 3 (1 x 120mm fan pre-installed) Top : 140mm x 2 / 120mm x 3 Rear : 120mm x 1 (pre-installed) Side : 120mm x 2
Maximum Number of Fans	9 Max.
Onboard Lighting System	Trelux Lighting with Addressable RGB LEDs and Dynamic Lighting Effects in the Front and Top Panels

Water Cooling Radiator Support	Front : 360mm / 280mm / 240mm / 140mm / 120mm (Please choose either of front or side to install a radiator.) Top : 360mm / 240mm / 120mm (Please choose either of top or front to install a 360mm radiator.) (Max. component height on motherboard is 32mm.) Rear : 120mm Side : 240mm / 120mm (Please choose either of front or side to install a radiator.)
Expansion Slots	7+2
Max. Graphics Card Length	400 (mm) / 15.7 (in)
Max. CPU Cooler Height	170 (mm) / 6.7 (in)
Max. PSU Length	200 (mm) / 7.9 (in)
PSU	Standard ATX PS2
Cable Management	Yes

## Packing Data

Product Number (P/N)	106KMT0008-00
EAN CODE	4715302442910
UPC CODE	192554001357
JAN CODE	4541995034053

Individual Size W/O Packaging Weight (N.Weight)	11.12 (kg)
Individual Packaging Weight (G.Weight)	12.72 (kg)
Individual Size W/O Packaging (WxHxD)	227 x 535 x 527 (mm)
Individual Packaging Size (WxHxD)	332 x 638 x 605 (mm)



# GEMINI T

## COMPARISON



		<b>Gemini T</b>	<b>Gemini T Pro</b>
Model No.		CGR-6KMTB	CGR-6KMTB-PRO
Cooling Fan Support	Front	140mm x 2 / 120mm x 3 (1 x 120mm fan pre-installed) (Please choose either of front or side to install fans.)	140mm x 2 / 120mm x 3 (1 x 120mm fan pre-installed)
	Top	140mm x 2 / 120mm x 3	140mm x 2 / 120mm x 3
	Rear	120mm x 1 (pre-installed)	120mm x 1 (pre-installed)
	Side	120mm x 2 (Please choose either of front or side to install fans.)	120mm x 2
Maximum Number of Fans		7 Max.	9 Max.
Water Cooling Support	Front	360mm / 280mm / 240mm / 140mm / 120mm (Please choose either of front or side to a radiator.)	360mm / 280mm / 240mm / 140mm / 120mm (Please choose either of front or side to install a radiator.)
	Top	240mm / 120mm (Max. component height on motherboard is 32mm.)	360mm / 240mm / 120mm (Please choose either of top or front to install a 360mm radiator.) (Max. component height on motherboard is 32mm.)
	Rear	120mm	120mm
	Side	240mm / 120mm (Please choose either of front or side to a radiator.)	240mm / 120mm (Please choose either of front or side to install a radiator.)