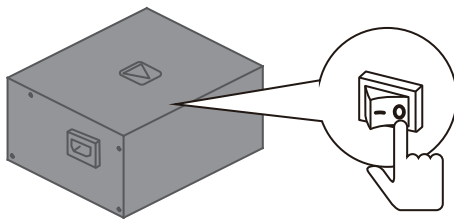


QUICK INSTALLATION GUIDE



GAMDIAS
KRATOS 0109 **IP1-650W**
Addressable RGB 650W Power Supply

Step 01.



English

- ◆ Make sure that your system is turned off and unplugged.

Français

- ◆ Assurez-vous que le système est éteint et débranché.

Русский

- ◆ Убедитесь, что система выключена и отключена от электросети.

Deutsch

- ◆ Stellen Sie sicher, dass Ihr System ausgeschaltet und alle Stromkabel gezogen sind.

日本語

- ◆ システムがオフになっており、プラグを抜いていることを確認してください。

繁體中文

- ◆ 請確定系統已關閉且已斷電。

Español

- ◆ Asegúrese de que el sistema está apagado y desenchufado.

Italiano

- ◆ verificare che il sistema sia spento e scollegato.

Português

- ◆ Certifique-se que o seu sistema está desligado e sem corrente eléctrica.

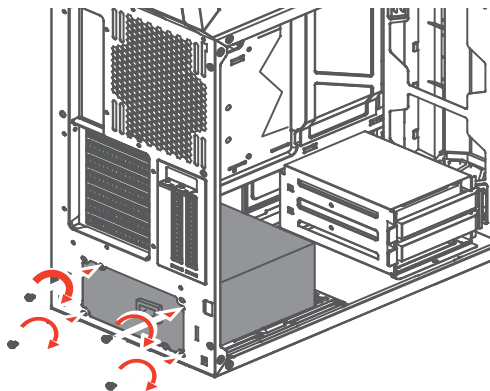
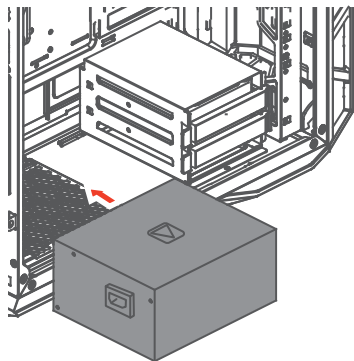
Türk dili

- ◆ Sisteminizin kapalı olduğundan ve fişinin takılı olmadığından emin olun.

简体中文

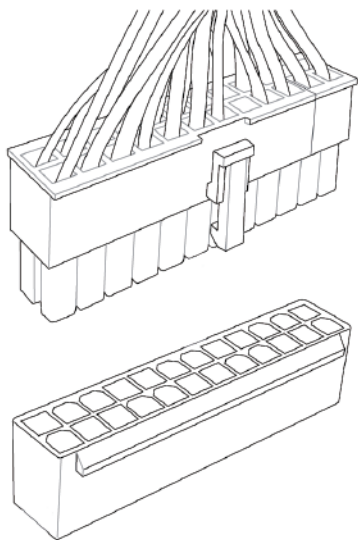
- ◆ 请确保系统已关闭，并已拔出插头。

Step 02.

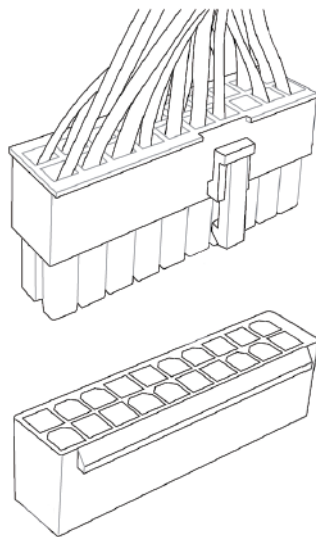


Step 03. Motherboard

20+4 Pin

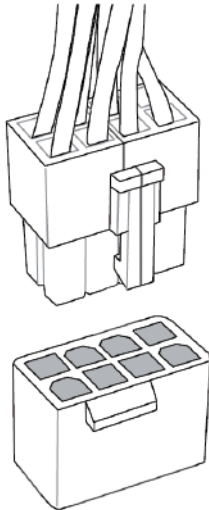


20 Pin

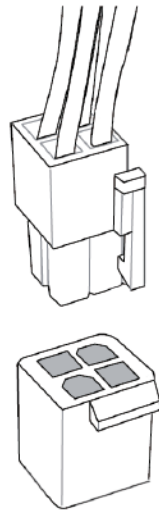


Step 04. CPU

4+4 Pin

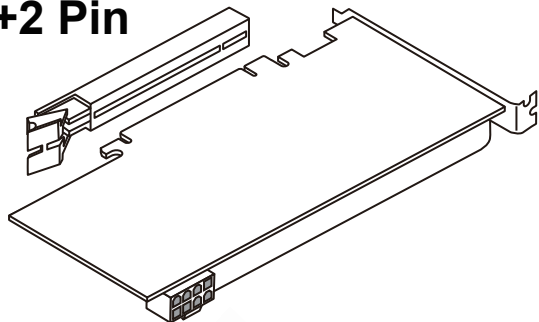


4 Pin

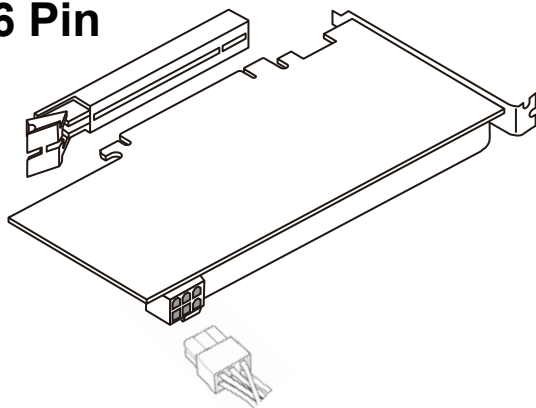


Step 05. PCIE

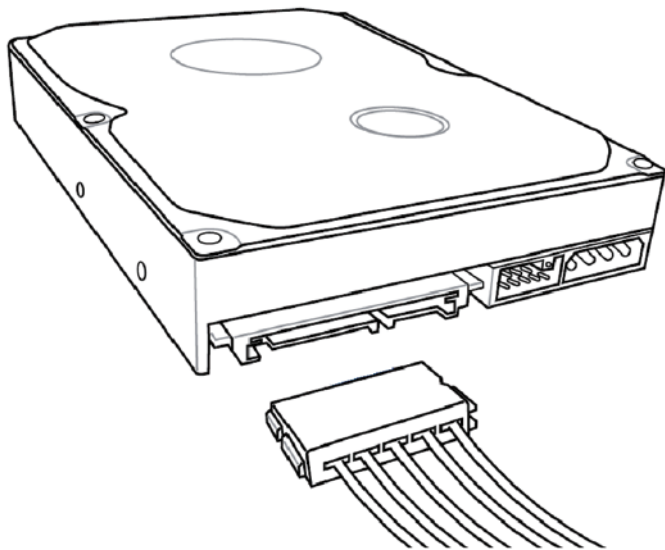
6+2 Pin



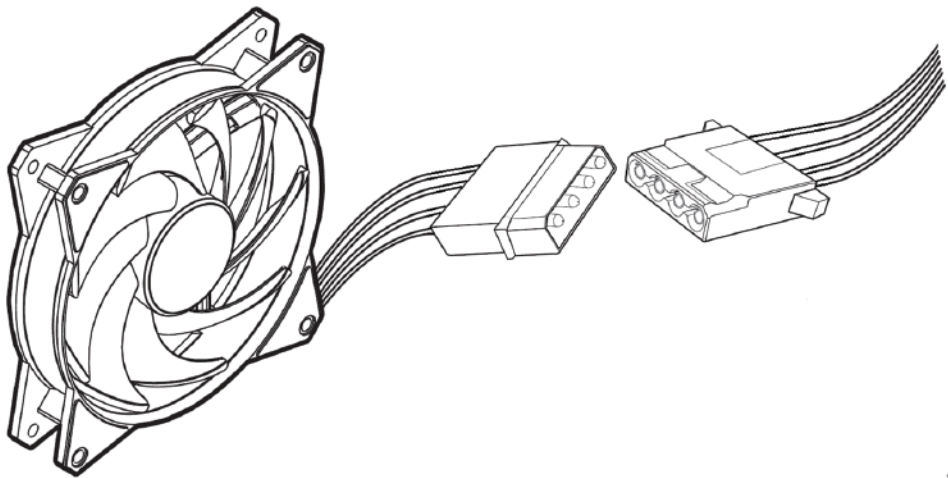
6 Pin



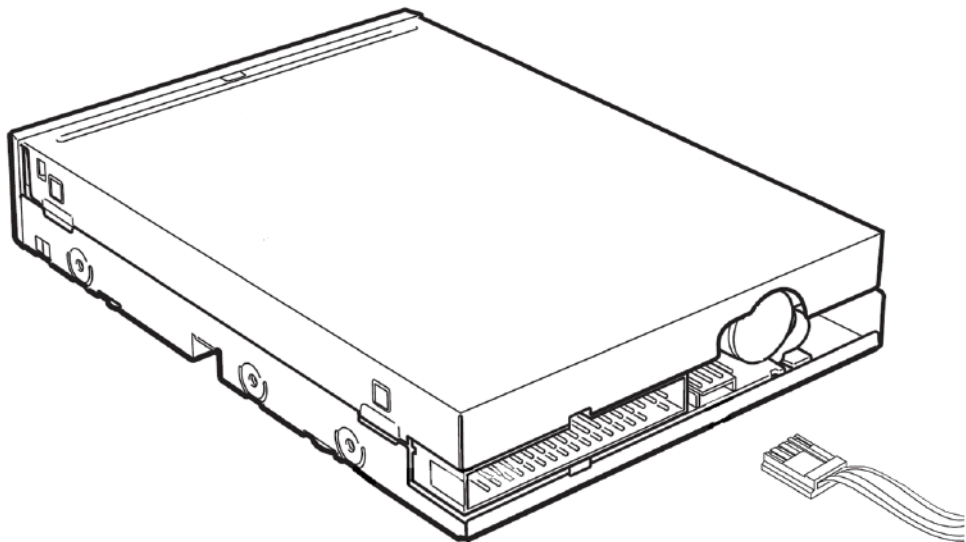
Step 06. SATA



Step 07. Molex

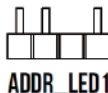
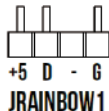
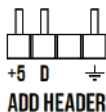


Step 08. FDD

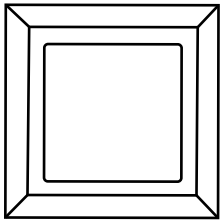


Step 09.

If your motherboard has 5V 3-Pin addressable (digital) LED header, you can customize RGB lighting via motherboard manufacture sync software



Step 10. RGB Lighting



RGB Lighting

3 Sec



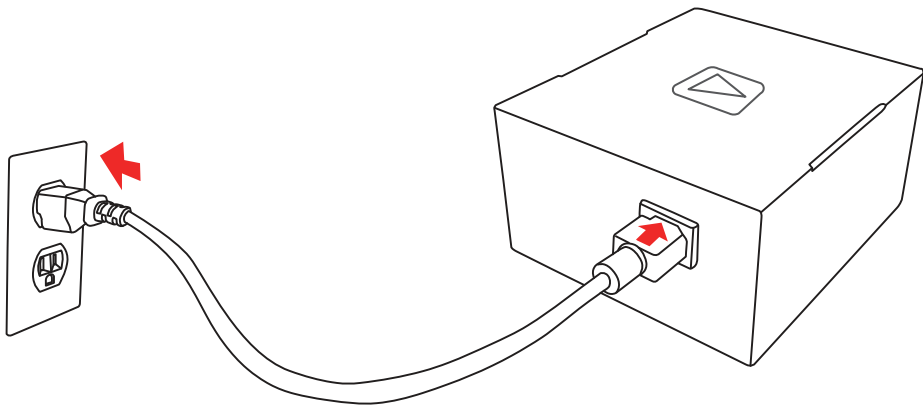
MB
SYNC



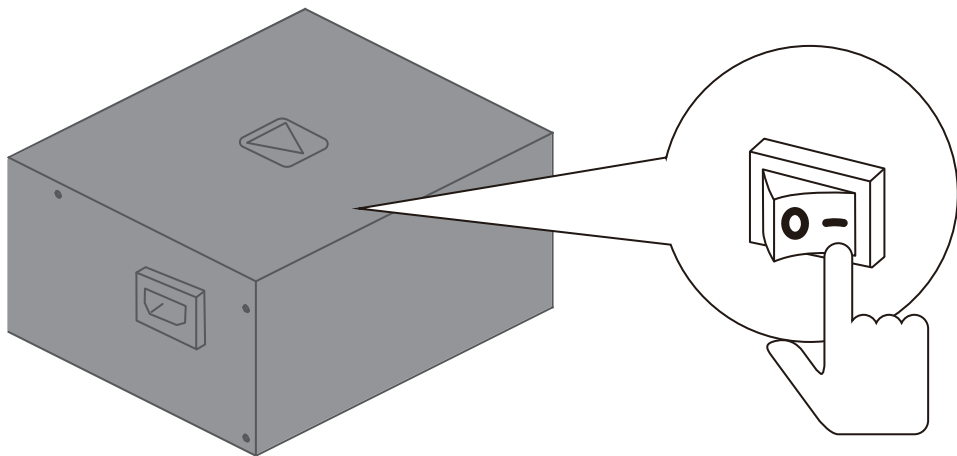
Built-in
Effects

Easily switch to motherboard manufacture sync software or built-in 30 lighting effects by long pressing button for 3 seconds.

Step 11.



Step 12.



Step 13. Product Warranty Policy

<http://www.gamdias.com/warranty-en-gb>



GAMDIAS

GAMING ART IN MOTION