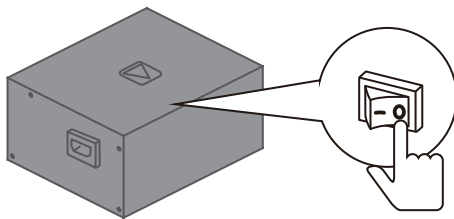


# QUICK INSTALLATION GUIDE



**GAMDIAS**  
**KRATOS** BRONZE **IM1-600W**  
Addressable RGB 600W Power Supply



### English

- ◆ Make sure that your system is turned off and unplugged.

### Français

- ◆ Assurez-vous que le système est éteint et débranché.

### Русский

- ◆ Убедитесь, что система выключена и отключена от электросети.

### Deutsch

- ◆ Stellen Sie sicher, dass Ihr System ausgeschaltet und alle Stromkabel gezogen sind.

### 日本語

- ◆ システムがオフになっており、プラグを抜いていることを確認してください。

### 繁體中文

- ◆ 請確定系統已關閉且已斷電。

### Español

- ◆ Asegúrese de que el sistema está apagado y desenchufado.

### Italiano

- ◆ verificare che il sistema sia spento e scollegato.

### Português

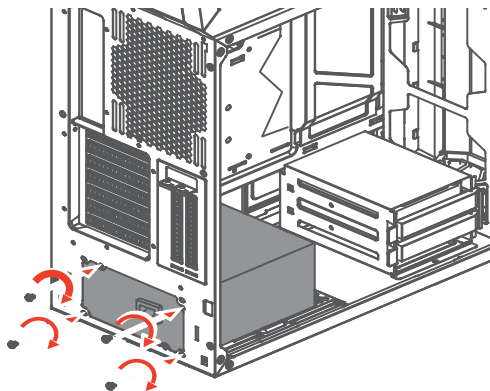
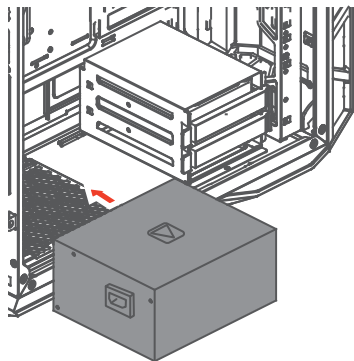
- ◆ Certifique-se que o seu sistema está desligado e sem corrente eléctrica.

### Türk dili

- ◆ Sisteminizin kapalı olduğundan ve fişinin takılı olmadığından emin olun.

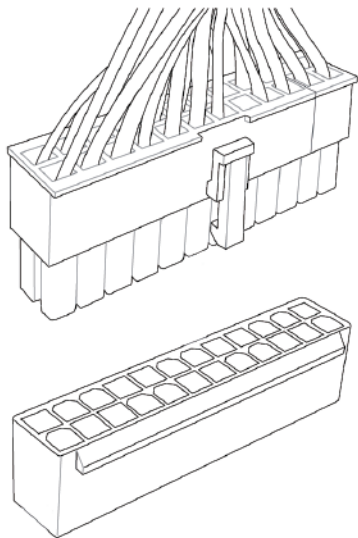
### 简体中文

- ◆ 请确保系统已关闭，并已拔出插头。

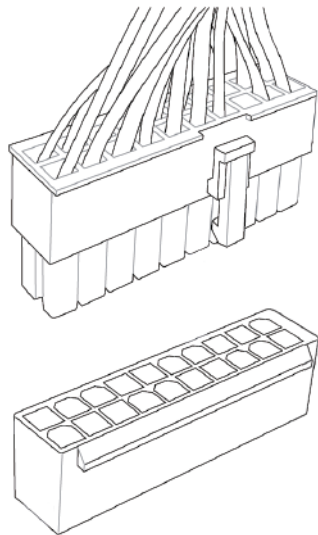


# 03. MOTHERBOARD

**20+4 Pin**

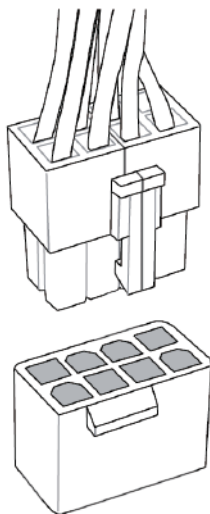


**20 Pin**

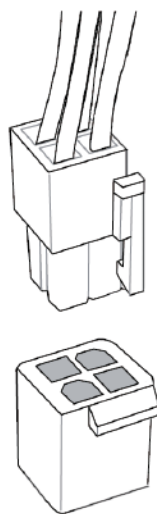


# 04. CPU

## 4+4 Pin

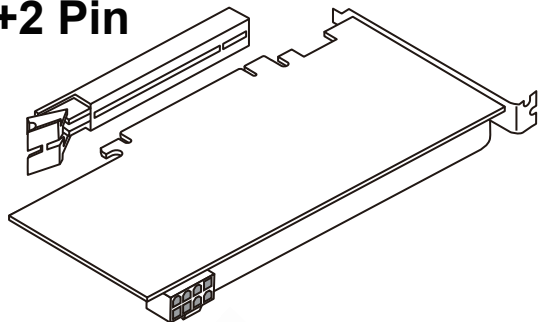


## 4 Pin

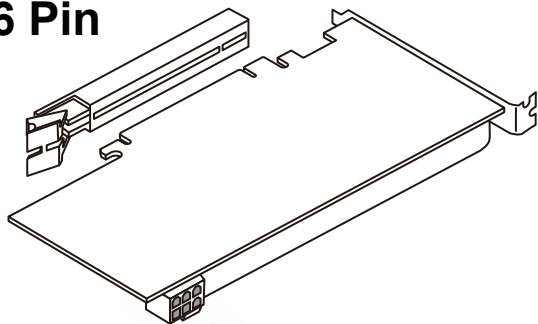


# 05. PCIe

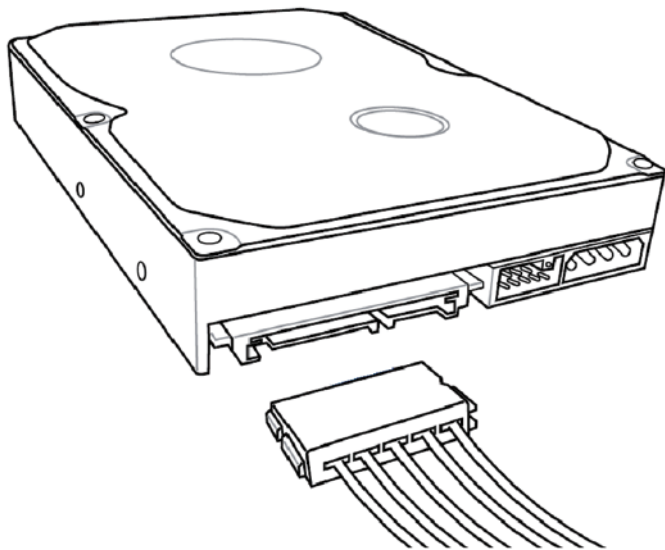
**6+2 Pin**



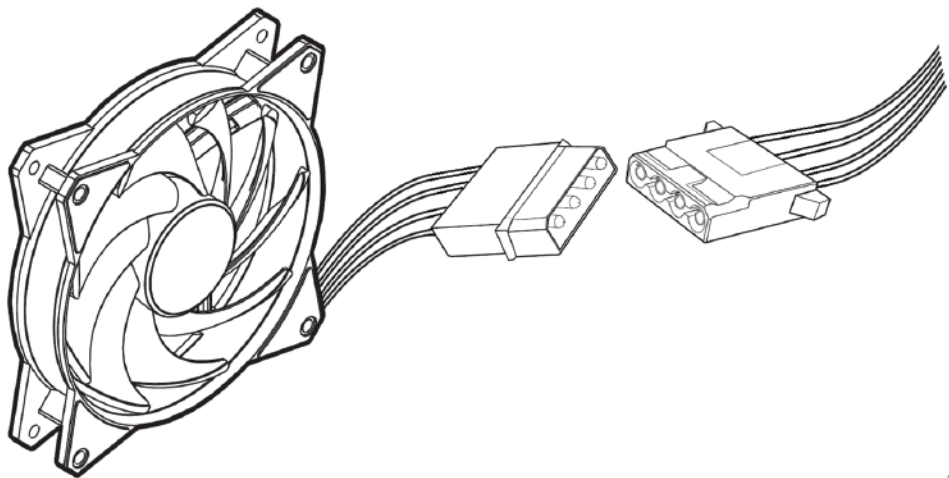
**6 Pin**



# 06.SATA

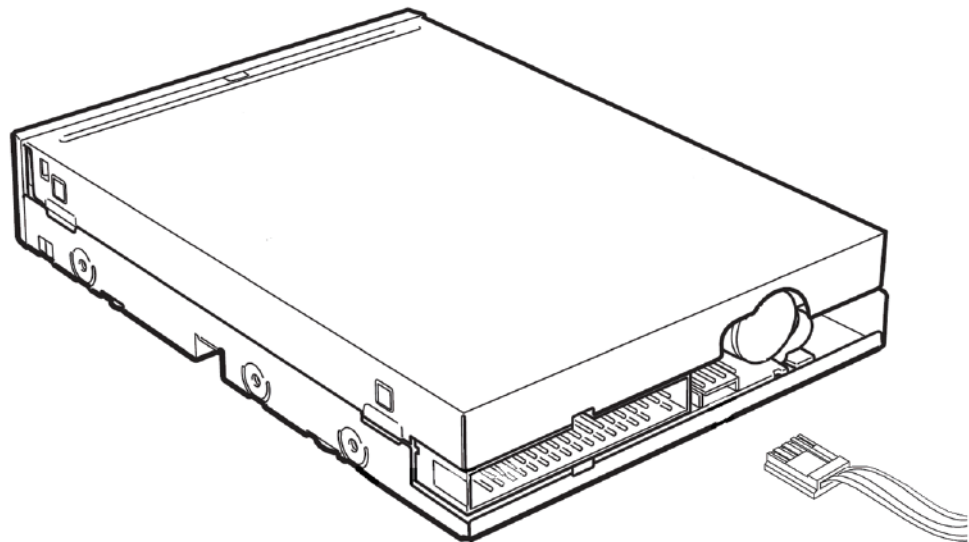


# 07. MOLEX





## 08. FDD

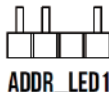
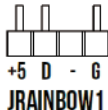
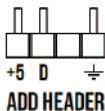


# 09

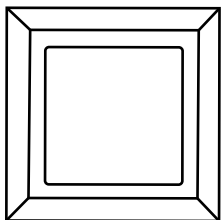
## IF YOUR MOTHERBOARD HAS 5V 3-PIN ADDRESSABLE (DIGITAL) LED HEADER, YOU CAN CUSTOMIZE RGB LIGHTING VIA MOTHERBOARD MANUFACTURE SYNC SOFTWARE



The circuit extending from the arrow must be inserted into motherboard's V-Pin.



# 10. RGB LIGHTING



RGB Lighting

3 Sec

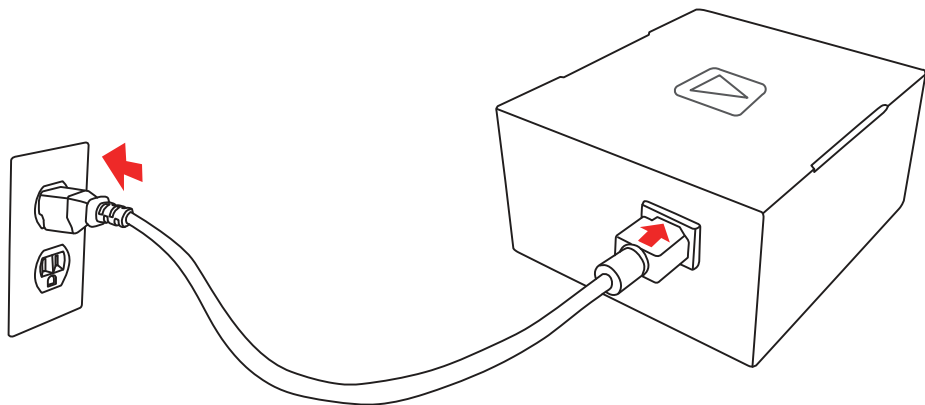


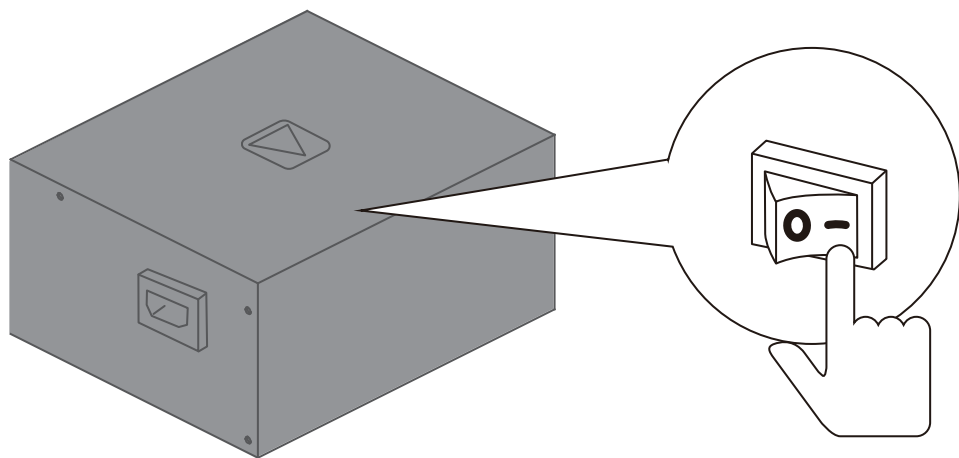
MB  
SYNC



Built-in  
Effects

Easily switch to motherboard manufacture sync software or built-in 30 lighting effects by long pressing button for 3 seconds.







**GAMDIA**

GAMING ART IN MOTION